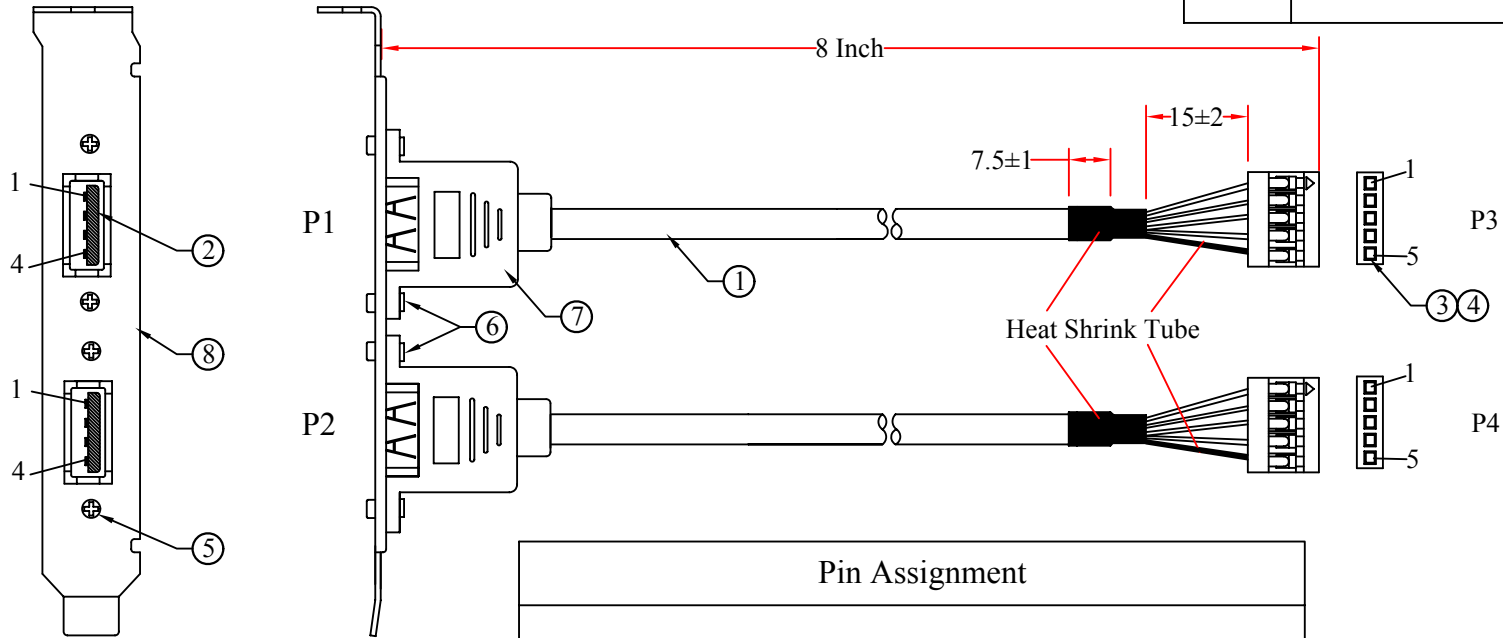


REV.	DESCRIPTION	DATE
A		04-2013



RoHS

Pin Assignment							
P1		P3		P2		P4	
1	Red	1	Red	1	Red	1	Red
2	Green	2	Green	2	Green	2	Green
3	White	3	White	3	White	3	White
4	Black	4	Black	4	Black	4	Black
Shield		5		Shield		5	

8	Bracket With Two Hole For USB Female
7	Beige Molded PVC
6	HEX-Nut 5*7.7mm
5	Screw 5.5*8mm
4	Terminla:CKM2542-T
3	Housing: CKM2542-5P, Pitch 2.54mm
2	USB 4P (A) Female ,Gold Plating 30u" On Contact, Insulation White
1	USB 2.0 Cable, UL Style 1 Twi Pair 28AWG And 2C 24AWG, OD:4.7mm,Beige PVC Jacket

NO.	SPECIFICATIONS
	BOM LIST

ITEM NUMBER	31U1-02408			DRAWER	JL
TITLE	USB PC Expansion Slot Cover, Dual USB Type A Female Ports to Board Header,8 inch			CHECKED	
MATERIAL		SCALE		APPROVED	
REV.	A	UNIT	INCH		
DRAWING NO:				 888-212-8295.com	