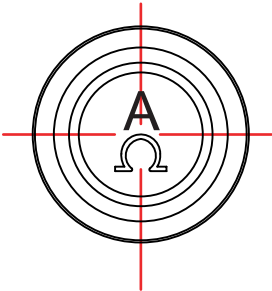
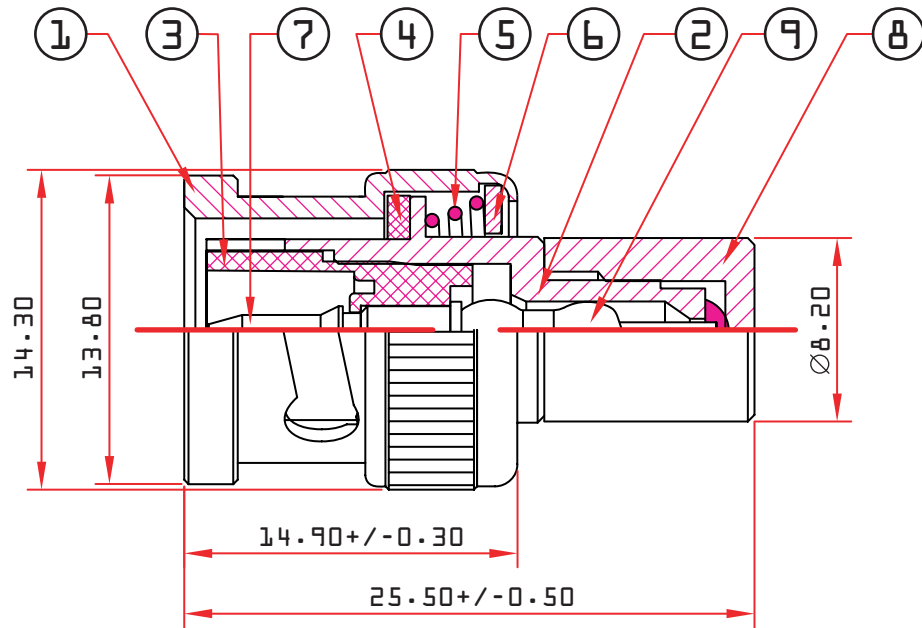


REV.	DESCRIPTION	DATE
A		
B		03-2008



PART NO.	Terminator %
31X3-01750	1%
31X3-05750	5%

9	Resistor: Metal Film Resistor
8	Cover: Zinc, Nickel Plated
7	Contact Pin: Brass, Gold Plated
6	Washer: Zinc, Nickel Plated
5	Spring: 65Mn
4	Gasket: PVC, Rev
3	Insulator: POM, Natural
2	Body: Zinc, Nickel Plated
1	Shell: Zinc, Nickel Plated
NO.	SPECIFICATIONS

ITEM NUMBER	31X3-0x750		DRAWER	MPD
TITLE	BNC Terminator		CHECKED	MAC
MATERIAL		SCALE	APPROVED	MAC
REV.	A	UNIT	INCH	
DRAWING NO:				

BOM LIST	
----------	--

