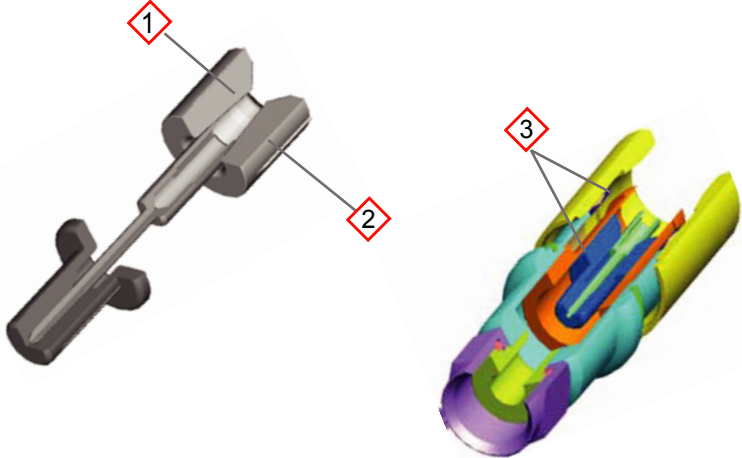
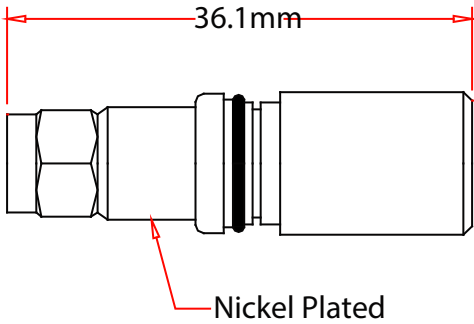


Rev.	Description	Date
A		09-2018

Features

- 1. Dual Compression Points
- 2. Internal Center Conductor Guide
- 3. High Center Conductor Holding Force (3 lbs.)
- 4. Lower Cable Insertion Force
- 5. All Metal Construction

RoHS



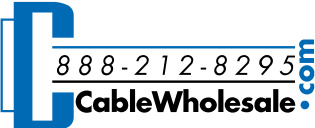
SLCU-11 series for RG-11 Cable

Holland Electronics' SLCU-11 utilizes an advanced pin capture mechanism, making it an ideal choice for professional RG-11 terminations. The SLCU-11 features a sliding pin design that avoids blind mating and ensures positive center conductor insertion to provide the most reliable termination available.

Our patented dual compression point technology guarantees long-term sealing and reduces the amount of insertion force required. The improved sealing and all-metal construction ensure connector reliability even in the most adverse environments.

SLC-11 Features:

- 1 Dual compression points
- 2 Internal center conductor guide
- 3 Higher cable center conductor holding force

Item Number:	31x7-31325	
Title:	RG11 F-Pin Compression Connector (25pcs/bag)	
Drawn by:	JL	
Approved by:	MAC	
ID:	253	

3	
2	
1	RG11 F-Pin Compression Connector , Standard, Nickel Plated
No.	Specifications