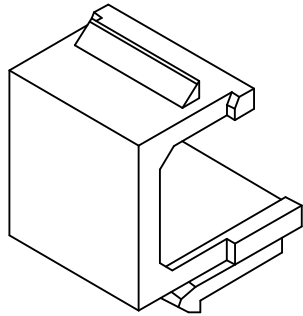
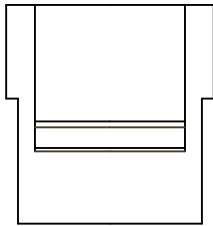
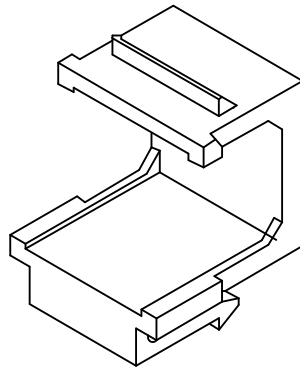
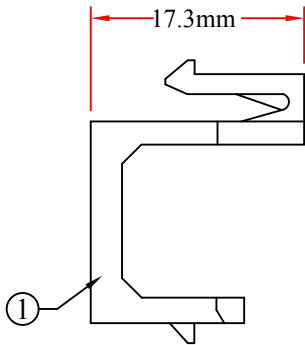
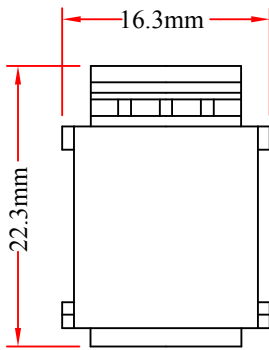


REV.	DESCRIPTION	DATE
A		03-2012



RoHS



PART NO.	COLOR
321-120WH	WHITE
321-120IV	IVORY

ITEM NUMBER	321-120xx		DRAWER	JL
TITLE	Blank Insert Module for Keystone Wall Plate		CHECKED	
			APPROVED	
MATERIAL		SCALE		
REV.	A	UNIT		INCH

1	UL94 V-0 Approval ABS Body
NO.	SPECIFICATIONS
	BOM LIST

DRAWING NO:		 888-212-8295 CableWholesale.com