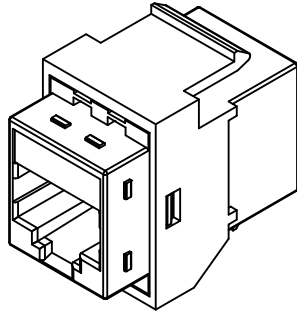
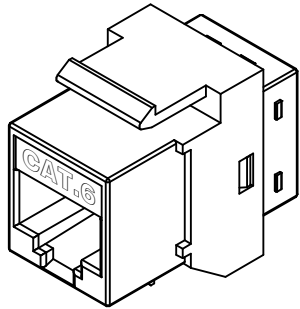
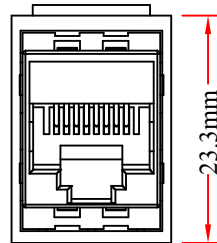
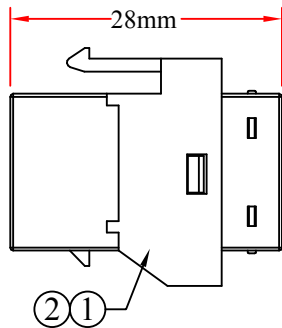
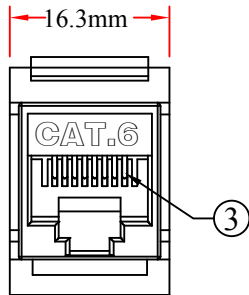


REV.	DESCRIPTION	DATE
A		03-2012



RoHS



PART NO.	CABLE LENGTH
326-220BK	BLACK
326-220WH	WHITE

ITEM NUMBER	326-220xx			DRAWER	JL
TITLE	CAT6 RJ45 Inline Coupler (UTP)			CHECKED	
				APPROVED	
MATERIAL		SCALE			
REV.	A	UNIT	INCH		
DRAWING NO:					

3	RJ45 Jack, 50u Gold Plated Contacts
2	UL94 V-0 Approval PCB
1	UL94 V-0 Approval ABS Body
NO.	SPECIFICATIONS
BOM LIST	