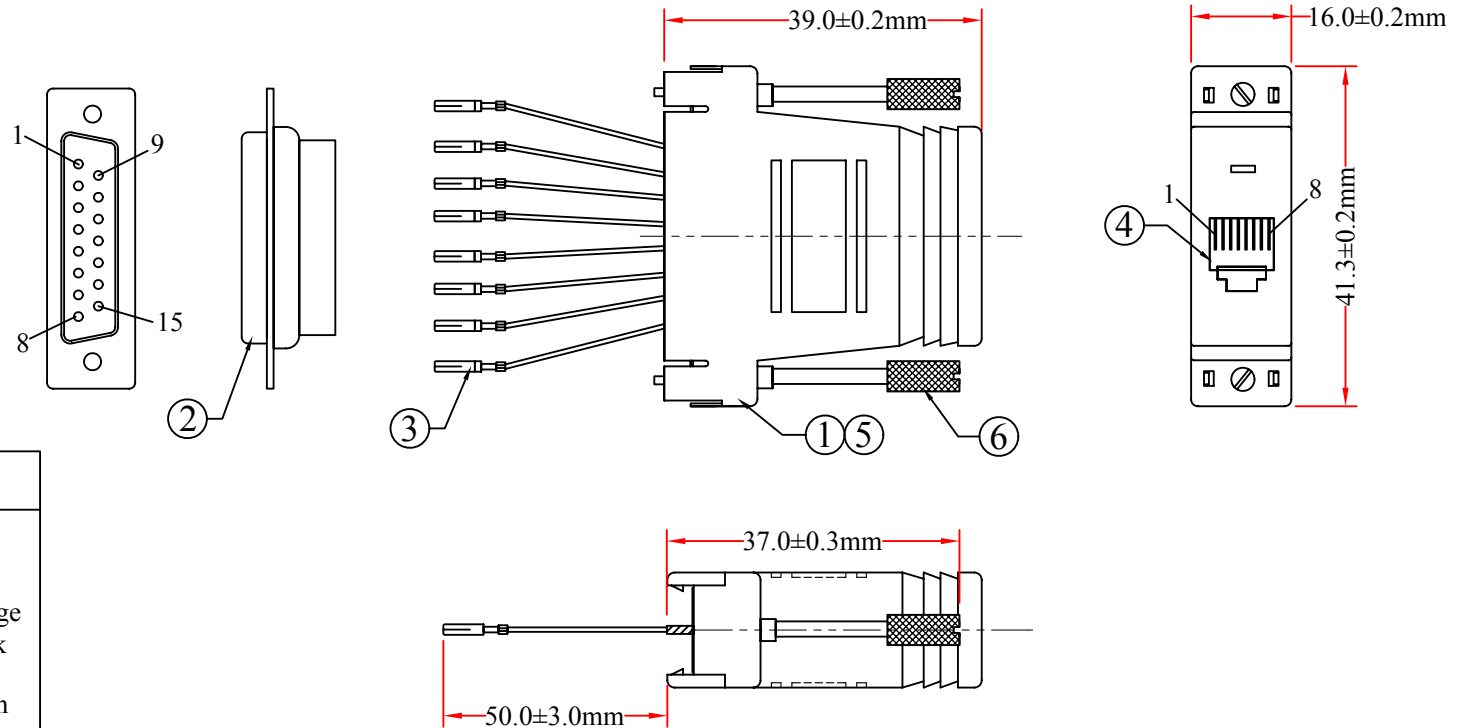


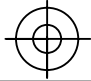
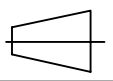
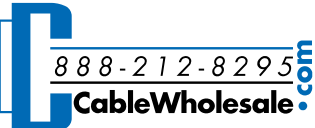
# RoHS

REV.	DESCRIPTION	DATE
A		01-2014



### Pin Assignment

8P8C	Open
1	Blue
2	Orange
3	Black
4	Red
5	Green
6	Yellow
7	Brown
8	White

6	Screw #4-40UNC,L:37.0±0.3mm Ni-Plated	ITEM NUMBER	32D1-18400		DRAWER	JL
5	ABS Cover, Gray	TITLE	DB15 Female to RJ45 Adaptor		CHECKED	
4	RJ45 Jack 8P8C 3u" ,Terminal: Brass Copper	MATERIAL	SCALE		APPROVED	
3	DB15 Female Terminal Gold Flash	REV.	A	UNIT	INCH	 
2	DB15 Female ,Shell: Nickel Plated, Insulation Black	DRAWING NO:				
1	UL1061 26AWG Wire					
NO.	SPECIFICATIONS					
	BOM LIST					