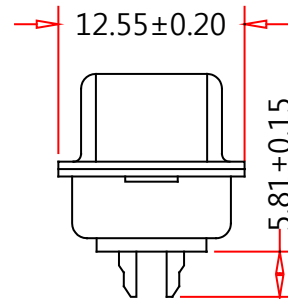
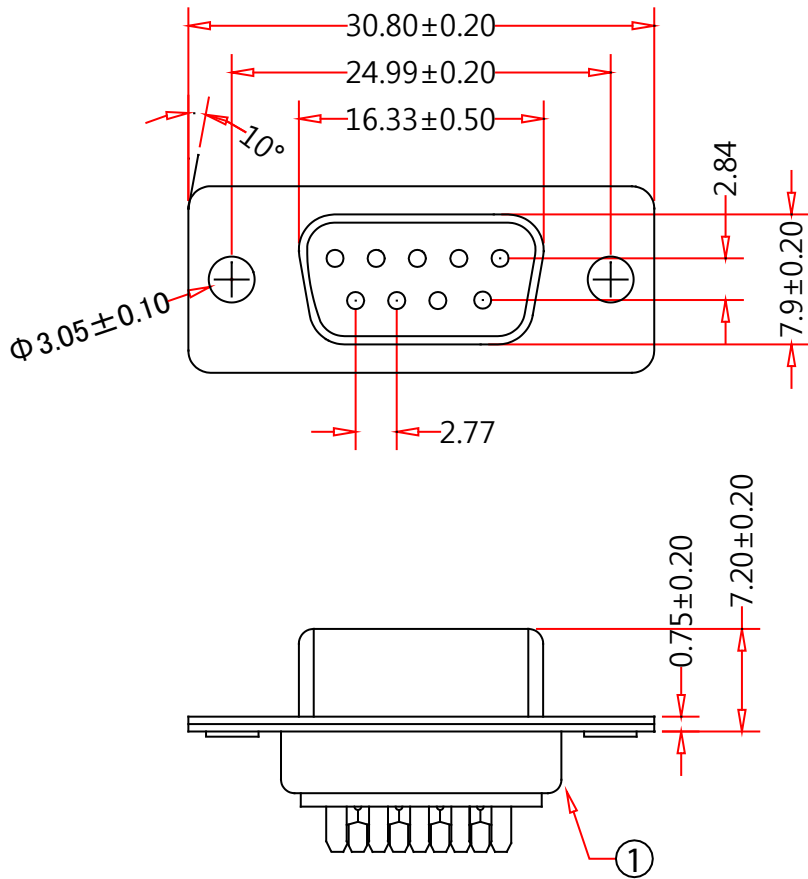


Rev.	Description	Date
A		10-2018



Electrical Characteristics:

Contact Current Rating: 1 AMP

Dielectric Withstanding Voltage: AC 500V R.M.S.

Insulation Resistance:

500M Ohms Minimum at DC500V.

Contact Resistance: 30 Milliohm Maximum

Operating Temperature: -55°C to $+105^\circ\text{C}$

Mechanical Characteristics:

Contact Insertion Force: 6.0 Max.

Contact Separation Force: 4.0 Min.

Materials:

Contact: Bronze

Insulator: P.B.T. UL 94V-0 Black

Shell: Gold Rolled Steel

Finishes:

Contacts: Gold Plated 30u"



4		Item Number:	3530-04009
3		Title:	DB9, Female D-Sub Connector, Solder Type
2		Drawn by:	JL
1	DB9 Female, Insulation Black, Solder Type	Approved by:	MAC
No.	Specifications	ID:	18

