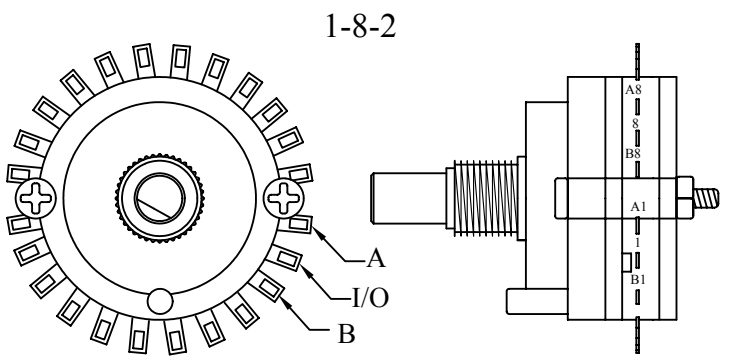
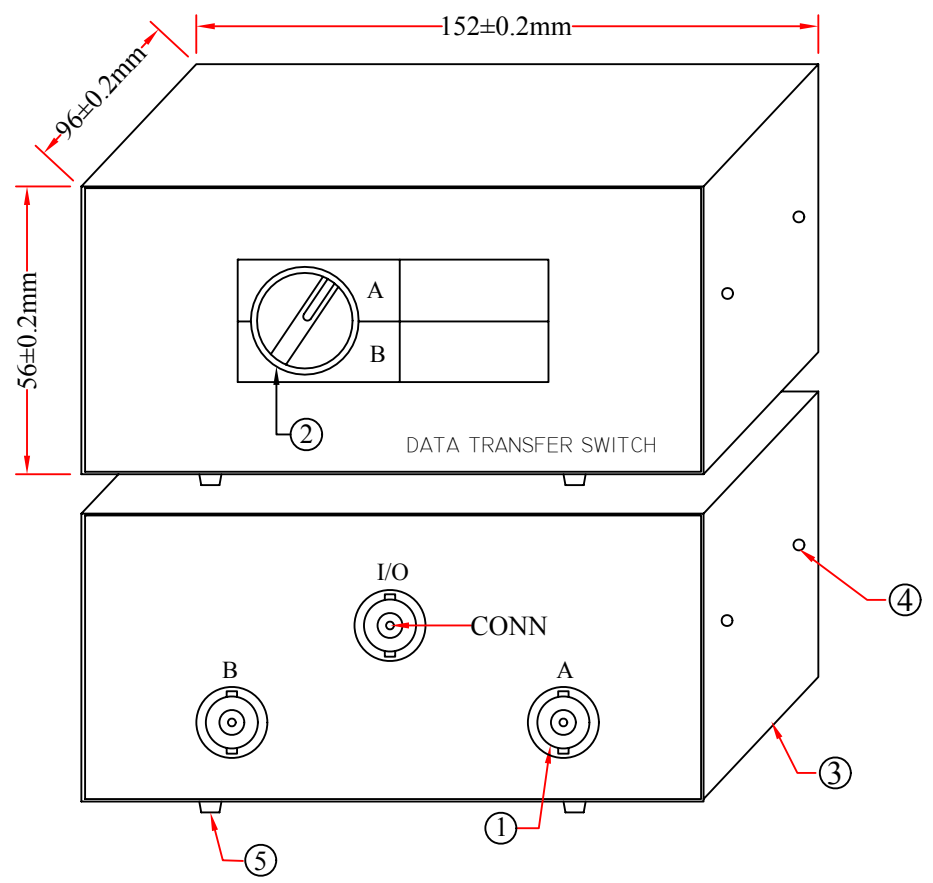


RoHS

REV.	DESCRIPTION	DATE
A		07-2013



Pin Assignment			
BNC/F		BNC/F	
I/O	Switch	A&B	
CONN	1	CONN	
SHIELD		SHIELD	



5	Plasto-Visco-Elastic Body
4	Screw 3*6PWB
3	Metal Case, Thickness 0.8mm
2	UL 1061 26AWG Wire, L:150mm, Main Heart 1-8-2, Screw 4*12.5mm With Pad, Knob For A B Switch
1	BNC Female, Gold Flash On Contacts, White Insulator
NO.	SPECIFICATIONS
BOM LIST	

ITEM NUMBER	40B1-01602			DRAWER	JL
TITLE	AB 2 Way Switch Box, BNC Female			CHECKED	
MATERIAL		SCALE		APPROVED	
REV.	A	UNIT	INCH		
DRAWING NO:				 888-212-8295.com	