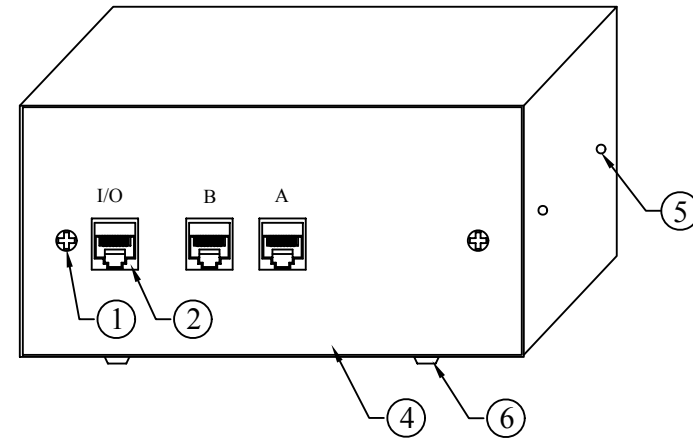
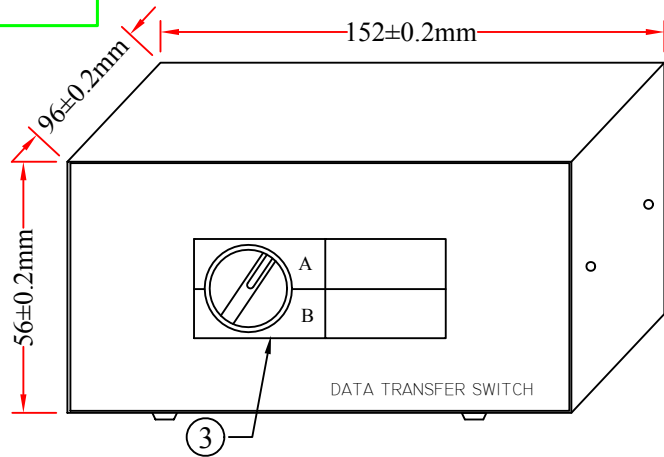


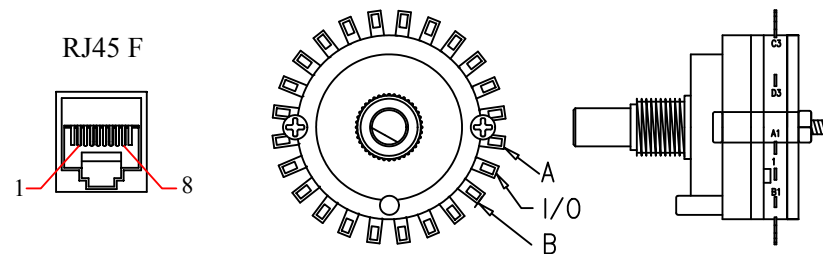
**RoHS**

REV.	DESCRIPTION	DATE
A		11-2012



Pin Assignment		
RJ45 F I/O	Switch	RJ45 F A&B
1	1	1
2	2	2
3	3	3
4	4	4
5	5	5
6	6	6
7	7	7
8	8	8

1-8-2



6	Plasto-Visco-Elastic Body,4pcs
5	Screw 3*6 PWB, 4pcs
4	Metal Case, Thickness 0.8mm
3	UL 1061 Insulator, Length 150mm, 24pcs
	Main Heart 1-8-2
	Screw 4*12.5mm w/ PAD
	Knob for A, B Switch
2	Stator; RJ45 PCB; Nex-Nut With Screw CAP 3*6mm
1	RJ45 Female , Gold Flash On Contacts
NO.	SPECIFICATIONS
	BOM LIST

ITEM NUMBER	40R2-01602		DRAWER	JL
TITLE	AB 2 Way Switch Box, RJ45 Female		CHECKED	
			APPROVED	
MATERIAL	SCALE			
REV.	A	UNIT		INCH
DRAWING NO:				