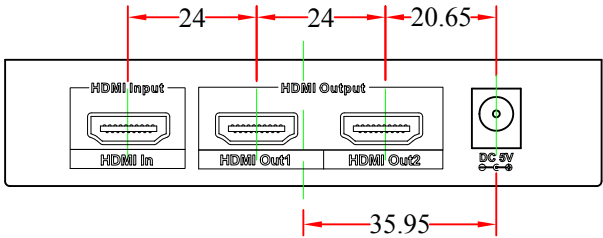
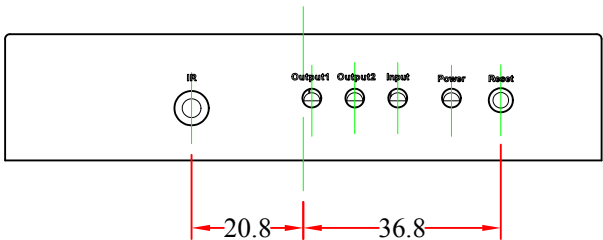
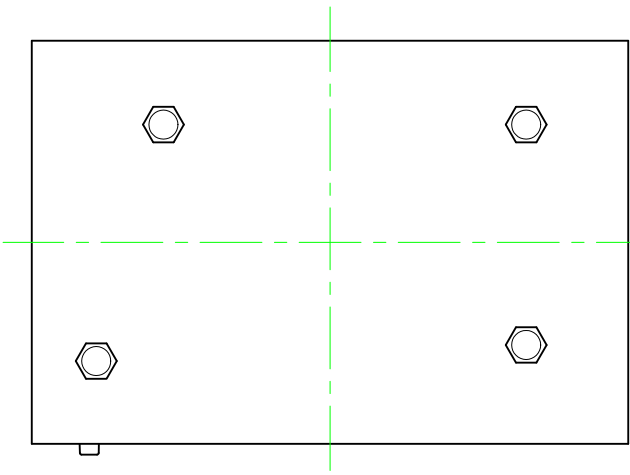
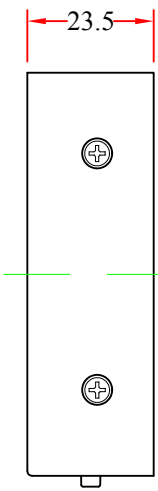
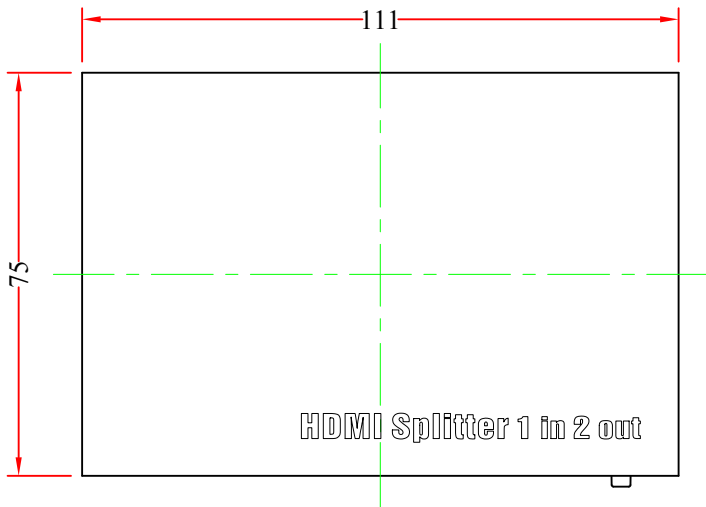


REV.	DESCRIPTION	DATE
A		12-2012



RoHS



ITEM NUMBER	41V3-02100		DRAWER	JL
TITLE	HDMI Splitter, 2 way, 1x2, HDMI High Speed with Ethernet, Metal Housing		CHECKED	
MATERIAL	SCALE		APPROVED	
REV.	A	UNIT	MM	

1	
NO.	SPECIFICATIONS
	BOM LIST

DRAWING NO:	

