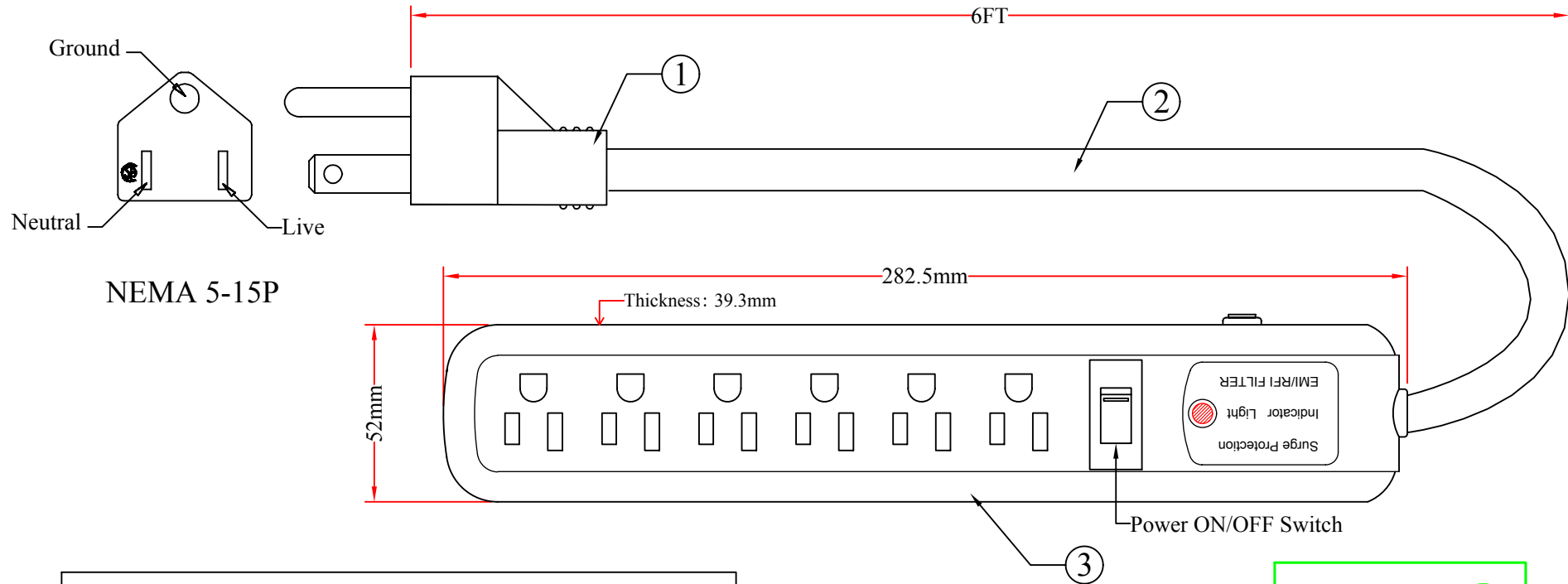


REV.	DESCRIPTION	DATE
A		08-2012
B		08-2013



Electrical Rating -----120 Volts AC. 15 Amps. 1800 Watts  
 Max. Spike Voltage ----- 6KV  
 Maximum Surge Dissipation ----- 540 joules  
 Max. Spike Current ----- 36000 Amps[3- Line Total]  
 UL 1449 Clamping Voltage ----- 400 Volts  
 Clamping Response Time ----- Less than 1 nanoseconds  
 EMI/RFI Noise Filter : Frequency ----- 150KHz~100MH  
 Attenuation ----- Up to 40dB

RoHS

3	6 Outlet Strip, Color: Gray
2	UL/CSA Approved NEMA 5-15P, Color: Gray
1	UL/CSA Approved SJT 14AWG X 3C, 105°C, Lead-Free, Color: Gray
NO.	SPECIFICATIONS
	BOM LIST

ITEM NUMBER	51W1-01206			DRAWER	JL
TITLE	6 Outlet Beige Surge Strip w/ Horizontal Outlets, 3 MOV, 540 Joules, EMI / RFI and 6ft Power Cord			CHECKED	
MATERIAL		SCALE		APPROVED	
REV.	A	UNIT	INCH		
DRAWING NO:				 888-212-8295.com	