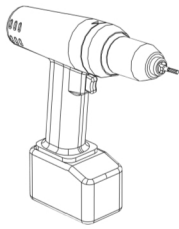
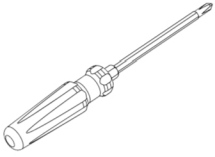


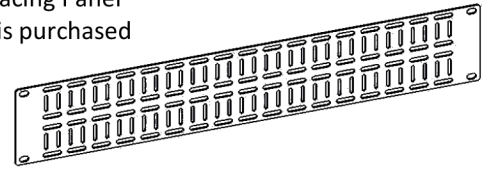
Tools needed:



Screwdriver or Drill

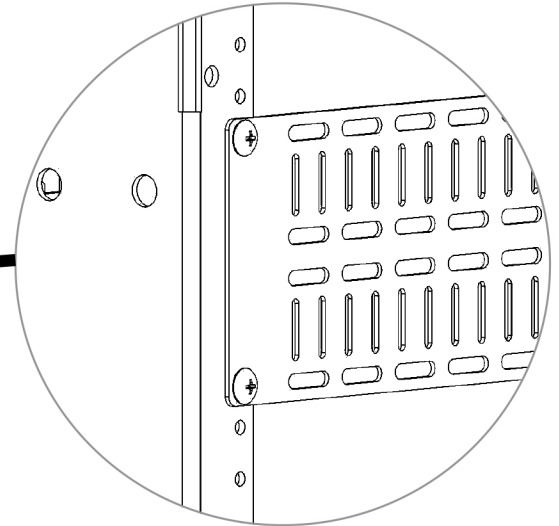
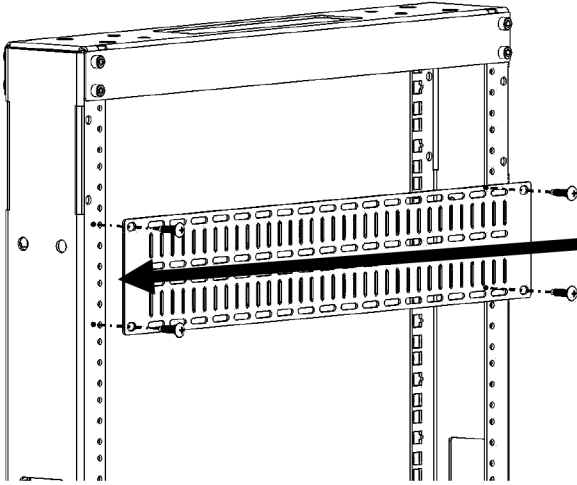
What's in the box?

Qty 1* - Flat Lacing Panel
*10 if 10-Pack is purchased

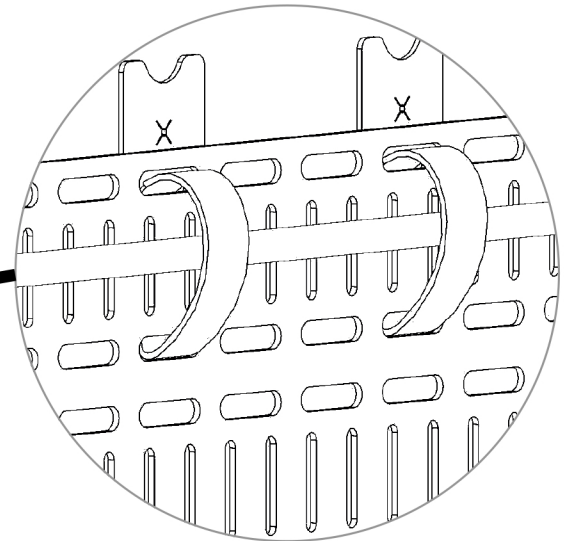
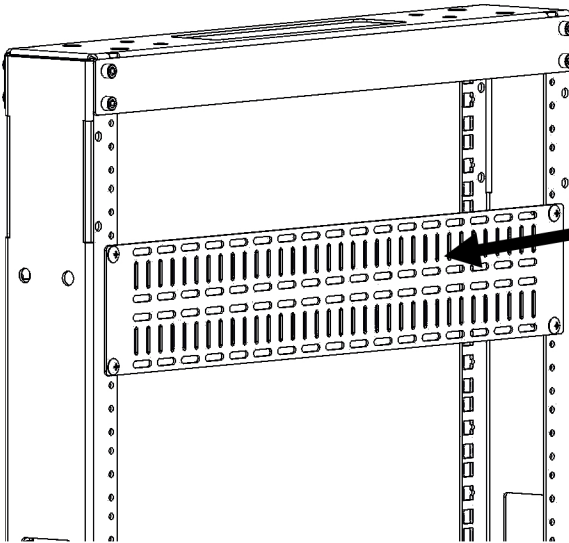


** You will need to supply your own mounting hardware

Step 1:



Step 2:



Use cable ties or hook and loop straps to secure cables to the lacing panel