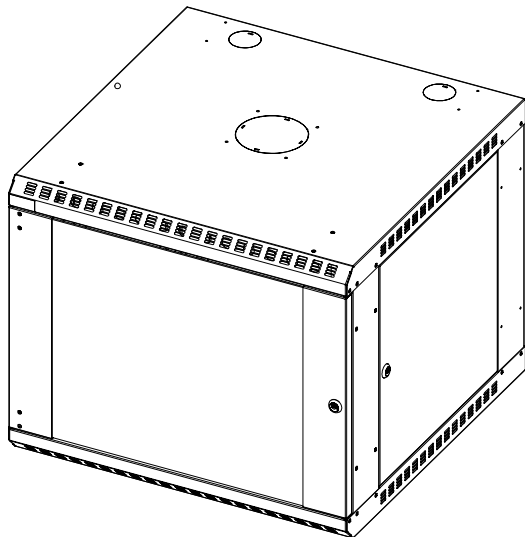
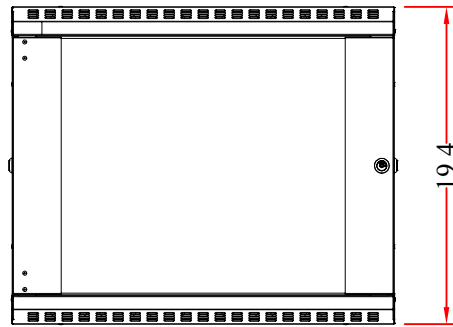
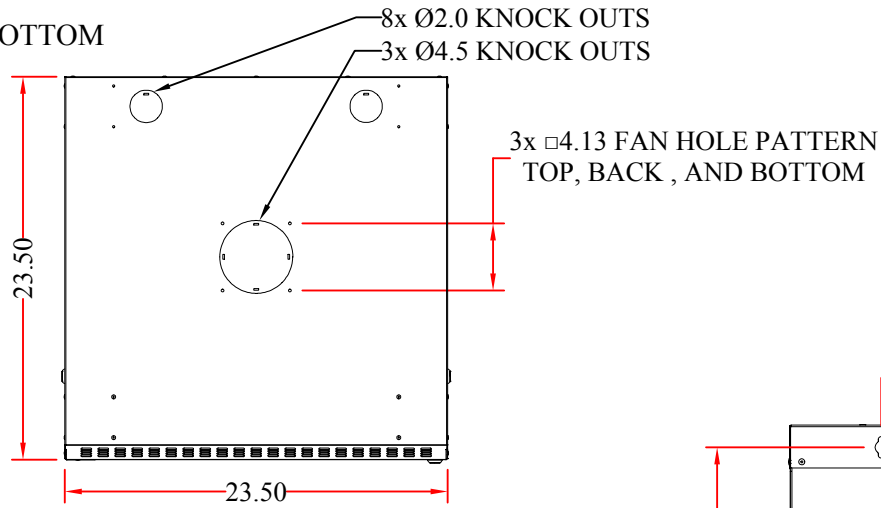
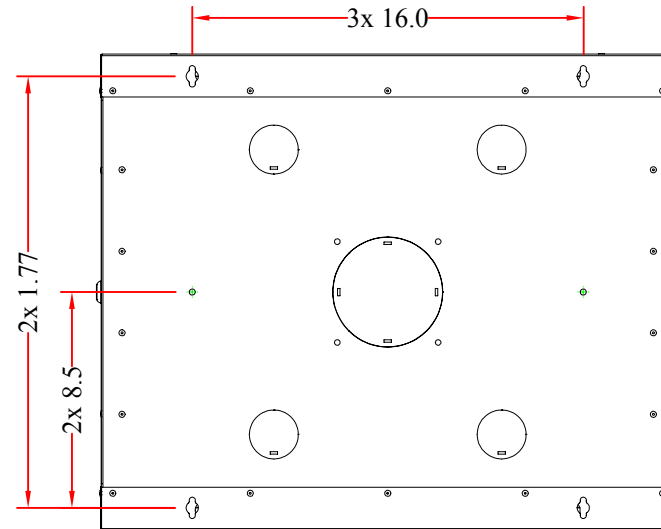


IDENTICAL TOP AND BOTTOM



REV.	DESCRIPTION	DATE
A		12-2013

RoHS



BACK  
SCALE 1:8

ITEM NUMBER	61C2-11209			DRAWER	JL
TITLE	Rackmount Fixed Wall Mount Cabinet,9U			CHECKED	
				APPROVED	
MATERIAL		SCALE			
REV.	A	UNIT	INCH		
DRAWING NO:					