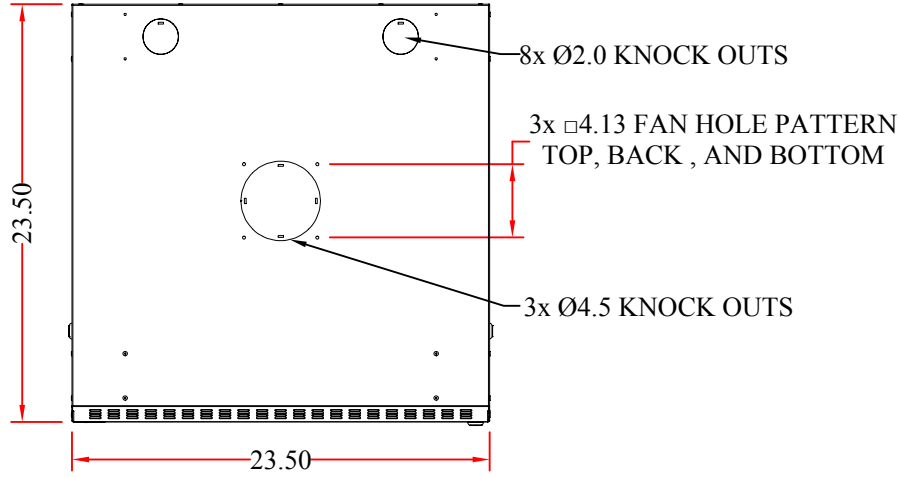
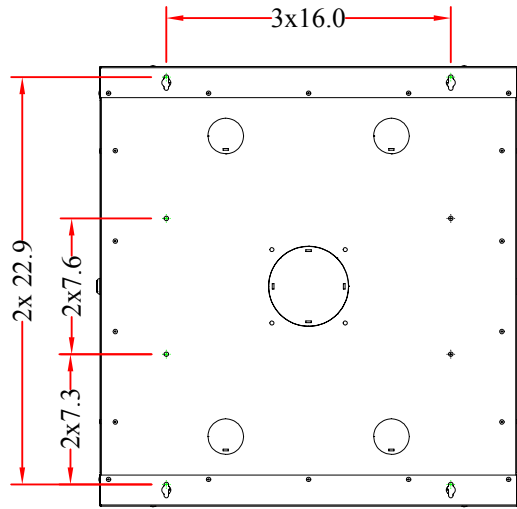
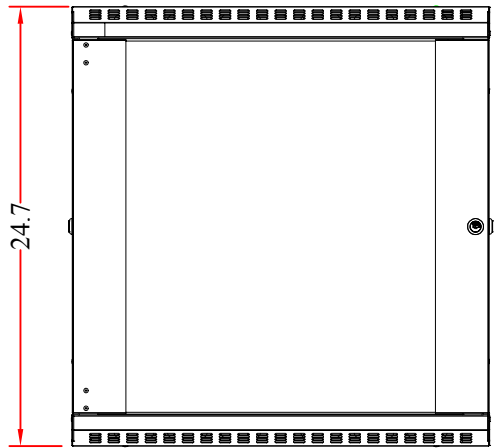


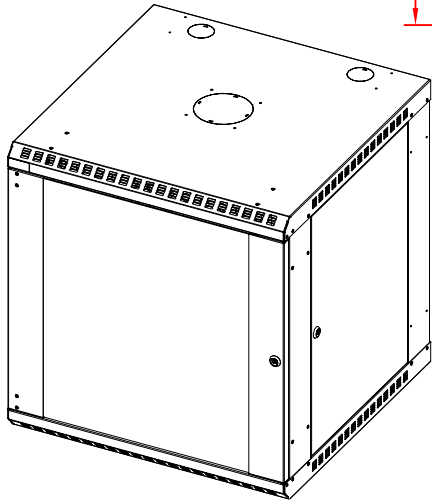
REV.	DESCRIPTION	DATE
A		12-2013

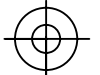
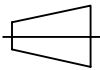


RoHS



BACK



ITEM NUMBER	61C2-11212			DRAWER	JL
TITLE	Rackmount Fixed Wall Mount Cabinet, 12U			CHECKED	
				APPROVED	
MATERIAL		SCALE		 	
REV.	A	UNIT	INCH		
DRAWING NO:				