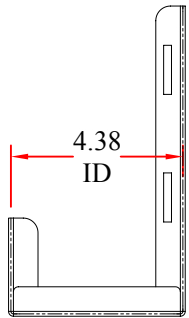
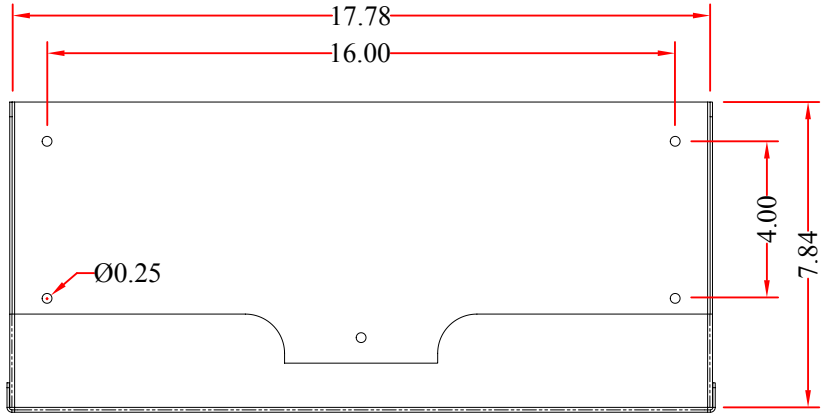
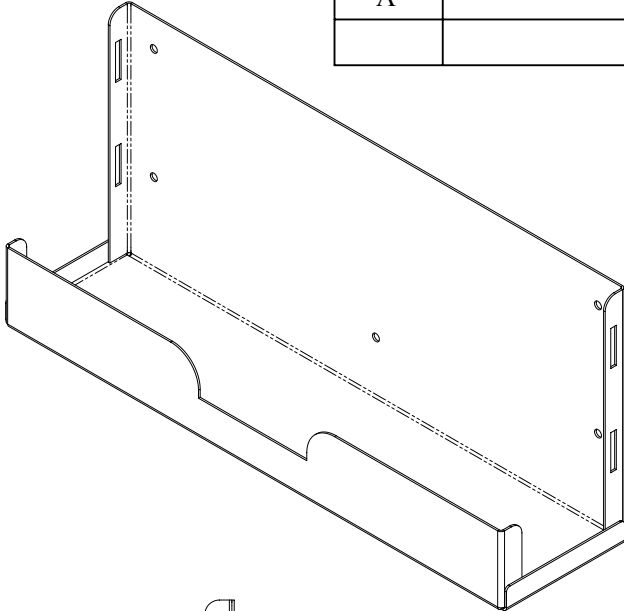


REV.	DESCRIPTION	DATE
A		12-2013



RoHS

ITEM NUMBER	61R2-21001		DRAWER	JL
TITLE	Wall Mount Small Form Factor CPU Shelf		CHECKED	
			APPROVED	
MATERIAL	SCALE			
REV.	A	UNIT		INCH
DRAWING NO:			 888-212-8295 <b>CableWholesale.com</b>	