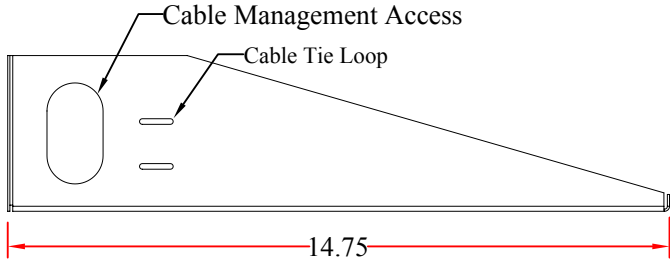
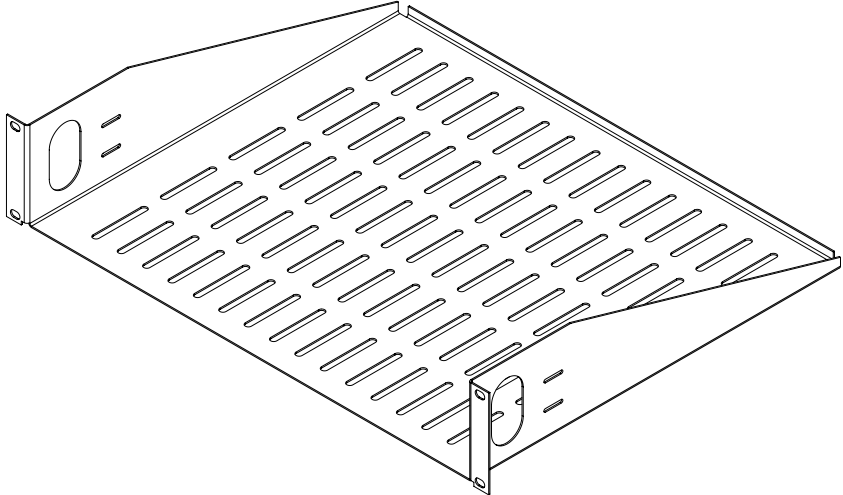


RoHS

REV.	DESCRIPTION	DATE
A		12-2013



ITEM NUMBER	61S1-22202		DRAWER	JL
TITLE	Rackmount Value Line Vented Shelf, 14 inch, 2U		CHECKED	
			APPROVED	
MATERIAL		SCALE		
REV.	A	UNIT		
DRAWING NO:			 888-212-8295	