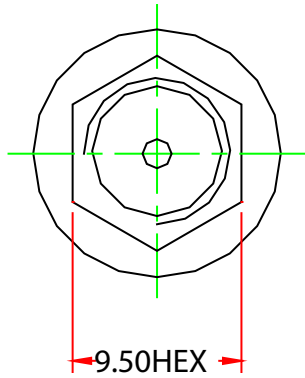
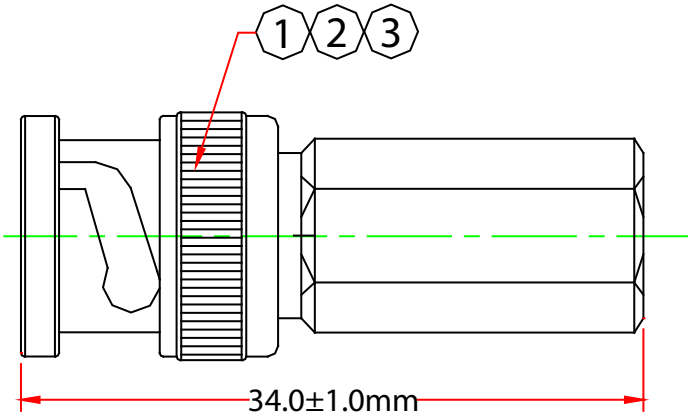
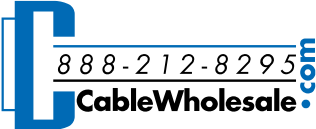


Rev.	Description	Date
A		11-2019

RoHS



		Item Number:	30U2-26300		
		Title:	RG6 BNC Twist On Connector		
		Drawn by:	JL		
		Approved by:	MAC		
		ID:	108		
No.	Specifications	4			
		3	Contact Pin, Brass / Gold Plated		
		2	Insulator, Delrin		
		1	Body, Zinc / Nickel Plated		