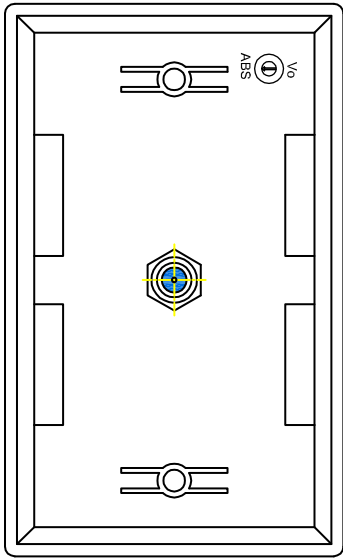
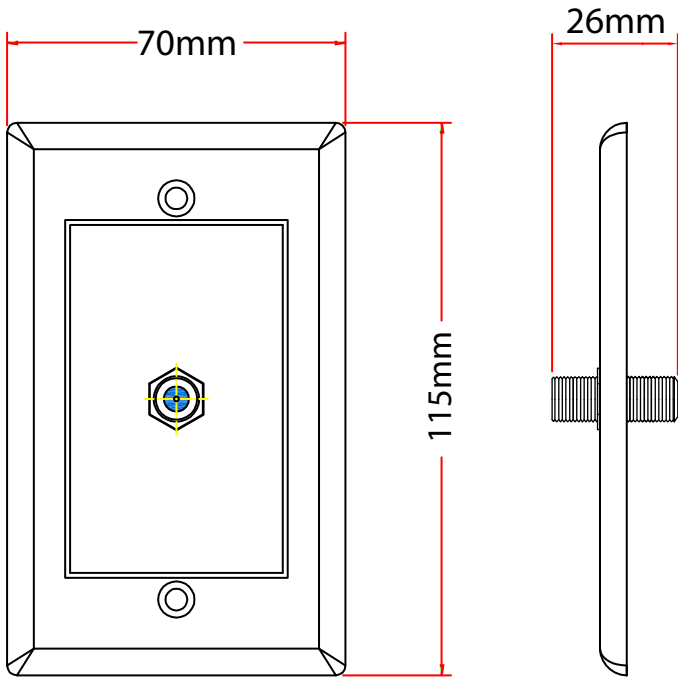
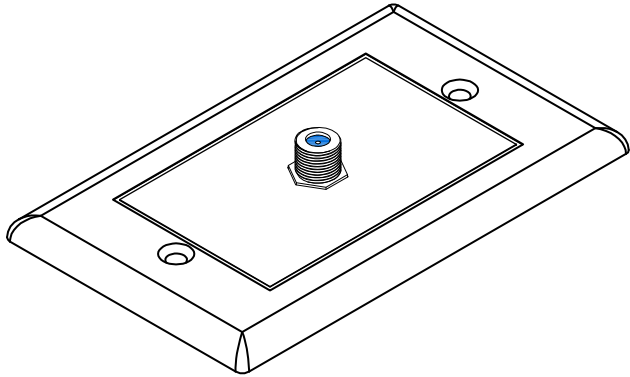


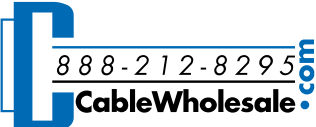
Rev.	Description	Date
A		10-2020



RoHS



Materials:
 Plate: ABS
 F-Pin Body: Brass Nickel Plating
 Operation Temperature: -40 °C ~ +70 °C

Item Number:	ASF-20351WH	
Title:	TV Wall Plate with 1 F-pin Coupler, 3 GHz, White	
Drawn by:	JL	
Approved by:	MAC	
ID:	95	

No.	Specifications
-----	----------------