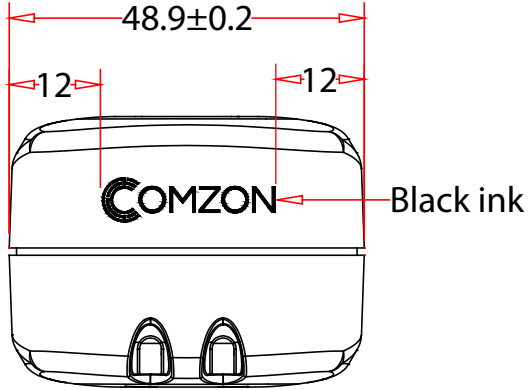
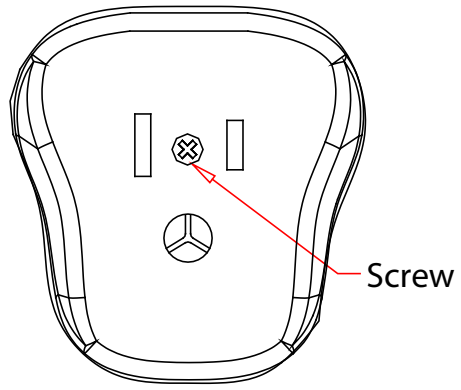
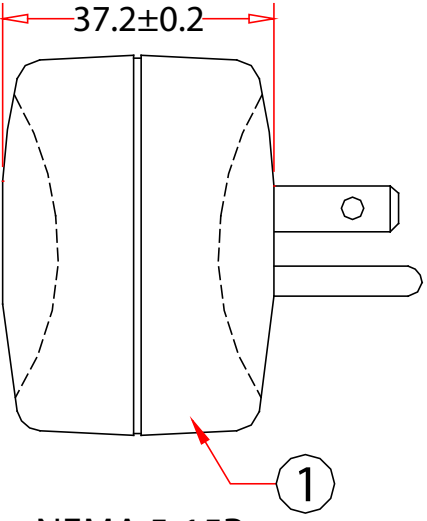
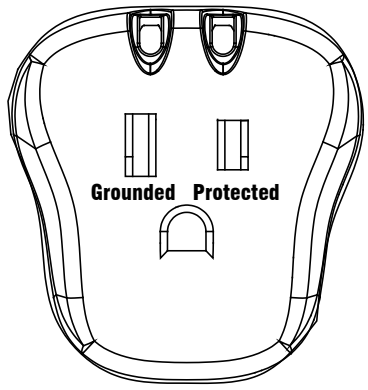


| Rev. | Description | Date |
|------|-------------|---------|
| A | | 11-2021 |

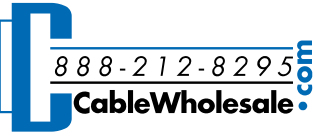


Electrical Rating -----120 Volts AC. 15 Amps. 60Hz. 1800 Watts
 Max. Spike Voltage ----- 6KV
 Maximum Surge Dissipation ----- 540 joules
 Max. Spike Current ----- 36000 Amps[3- Line Total]
 UL 1449 Clamping Voltage -----500 Volts
 Clamping Response Time ----- Less than 1 nanoseconds
 EMI/RFI Noise Filter : Frequency ----- 150KHz~100MH
 Attenuation ----- Up to 40dB



NEMA 5-15P

RoHS

| | | |
|--------------|--|---|
| Item Number: | C2009 | |
| Title: | ComZon® Surge Protector, 1 Outlet, 540 Joules with EMI/RFI filter | |
| Drawn by: | JL |  |
| Approved by: | MAC | |
| ID: | 83 | |

| | |
|-----|--|
| 3 | |
| 2 | |
| 1 | UL/CSA Approved NEMA 5-15P, Color: White |
| No. | Specifications |