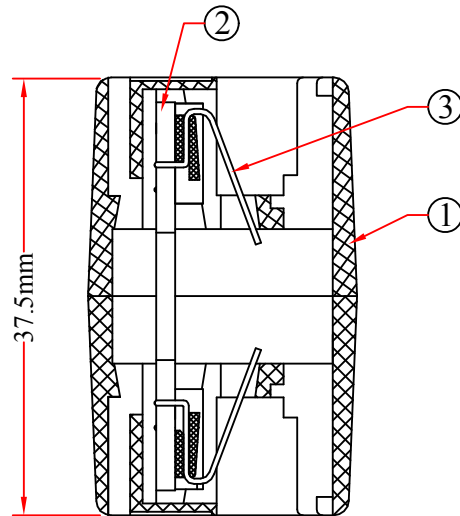
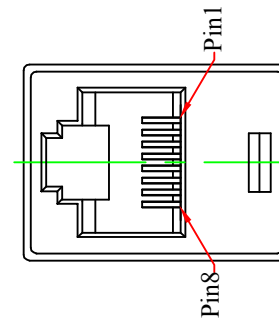
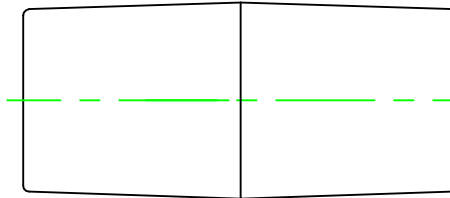
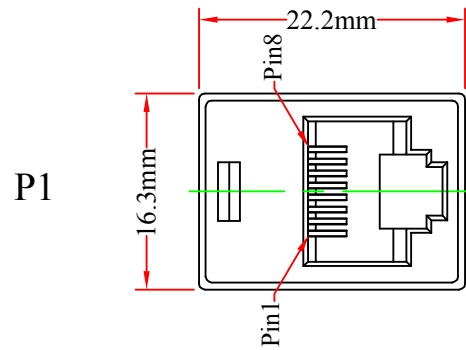
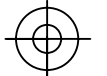
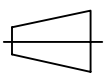
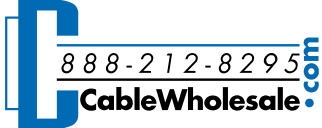


REV.	DESCRIPTION	DATE
A		04-2013



Pin Assignment		
P1		P2
1	_____	8
2	_____	7
3	_____	6
4	_____	5
5	_____	4
6	_____	3
7	_____	2
8	_____	1

RoHS

		ITEM NUMBER	MC-8P8C-RE		DRAWER	JL
		TITLE	RJ45, 8P8C (Reverse) Telephone Inline Coupler		CHECKED	
		MATERIAL	SCALE		APPROVED	
		REV.	A	UNIT	INCH	 
		DRAWING NO:				
3	RJ45 8P8C Jack, Gold Plating On Contacts					
2	PCB					
1	Plastic Hood, Ivory Color (With Key)					
NO.	SPECIFICATIONS					
BOM LIST						