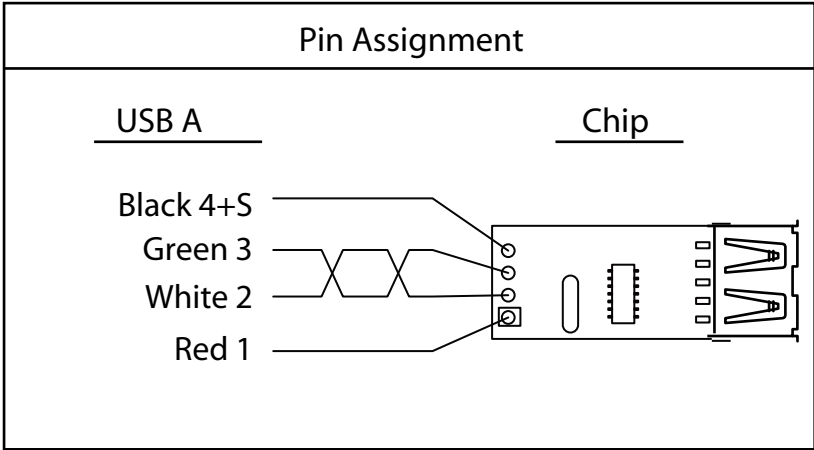
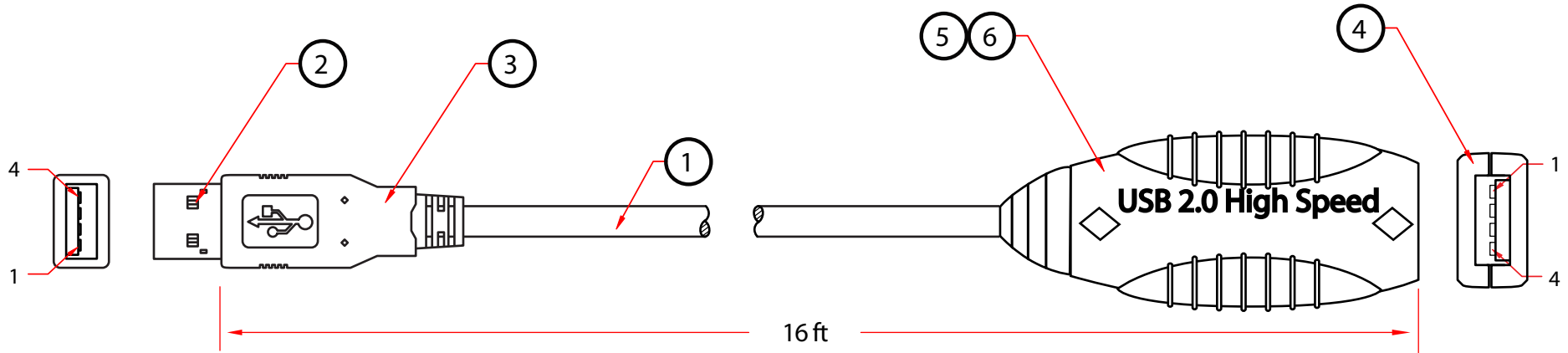
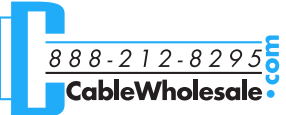


REV.	DESCRIPTION	DATE
A		
B		07-2009



RoHS

6	NEC Chip
5	ABS Shell
4	USB A Female, Contact: Gold Flash. Shell: Nickel Plated
3	USB A Blue Molded PVC
2	USB A Male, Contact: Gold Flash. Shell: Nickel Plated
1	USB 2.0 Cable UL2725 28AWG*AWG*1P (Green & White) + 20AWG*2C (Black & Red) + Drain + AL-Mylar + Braid Shield, Blue Outer Clear PVC Jacket
NO.	SPECIFICATIONS
	BOM LIST

ITEM NUMBER	UC-50200		DRAWER	LIBRA
TITLE	USB Type A Male / Type A Female Active 2.0 Extension Repeater Cable, 16 ft		CHECKED	
MATERIAL	SCALE		APPROVED	
REV.	A	UNIT	INCH	
DRAWING NO:				
			 888-212-8295.com CableWholesale.com	