



**USER'S MANUAL**  
**Stainless Steel Ladder**

THIS INSTRUCTION BOOKLET CONTAINS **IMPORTANT** SAFETY INFORMATION. PLEASE READ AND KEEP FOR FUTURE REFERENCE.

**Please give us a chance to make it right and do better!**

Contact our friendly customer service department for help first.

Replacements for missing or damaged parts will be shipped ASAP!

**Follow Costway**



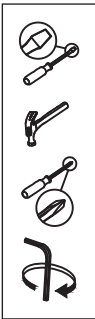
# Contact Us!

**Do NOT return this item.**

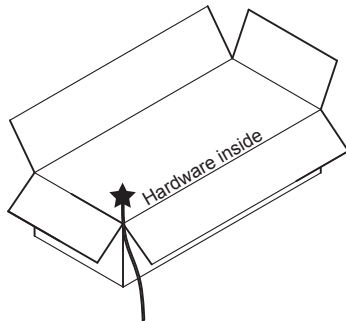
Contact our friendly customer service department for help first.



## Before You Start



- ⚠ Read each step carefully before starting. It is very important to ensure each step followed in correct order, otherwise assembly difficulties may occur.
- ⚠ Most of board parts are labeled or stamped on the raw edges. Have a check to make sure all parts are included.
- ⚠ Work in a spacious area, preferably on a carpet close to where the unit will be used.
- ⚠ Keep the handtools close at hand. Do not use power tools to assemble your furniture. They may scratch or damage the parts.



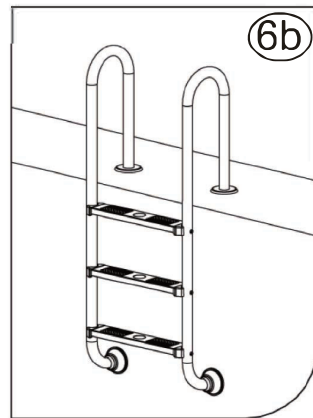
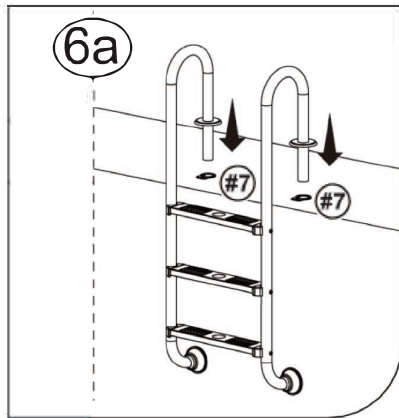
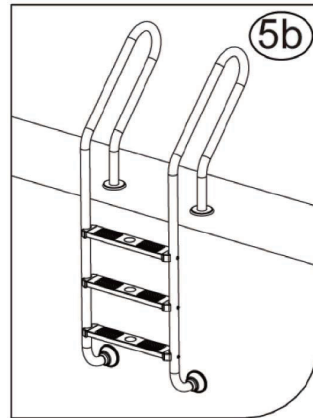
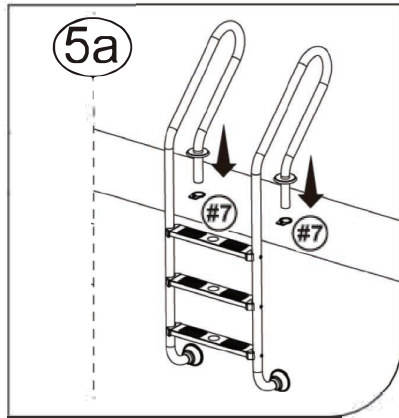
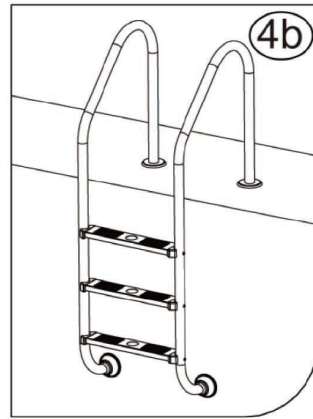
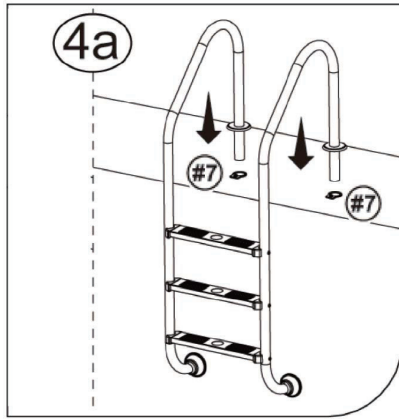
### INSTRUCTIONS FOR THE ASSEMBLY AND INSTALLATION OF LADDERS

Steps	Qty	Qty
Schritt	Menge	Menge
Étape	Quantité	Quantité
Passo	Ca ntidad	Ca ntidad
Passo	Qu antità	Qu antità
3	X 3	
4	X 4	
5	X 5	

1

2

3

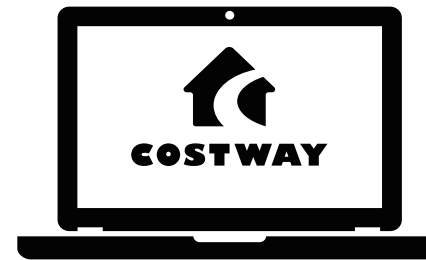


**Welcome to visit our website and purchase our quality products!**

With your inspiring rating, COSTWAY will be more consistent to offer you **EASY SHOPPING EXPERIENCE, GOOD PRODUCTS and EFFICIENT SERVICE!**

US office: Fontana, California

UK office: Ipswich



- \* Reward Points
- \* Exclusive Customer Service
- \* Personalized Recommendations
- \* Permanent Shopping Cart
- \* Order History

*5 Star Rating*



We would like to extend our heartfelt thanks to all of our customers for taking time to assemble this product and giving us valuable feedbacks.

*THANK YOU*  
☺