

USER'S MANUAL

Air Cooler

EP24829

PLEASE READ THIS MANUAL CAREFULLY BEFORE OPERATING THIS APPLIANCE AND RETAIN IT FOR FUTURE REFERENCE IMPORTANT SAFEGUARDS

When using an electrical appliance, basic safety precautions should always be observed, including the following:

READ ALL INSTRUCTIONS BEFORE USING

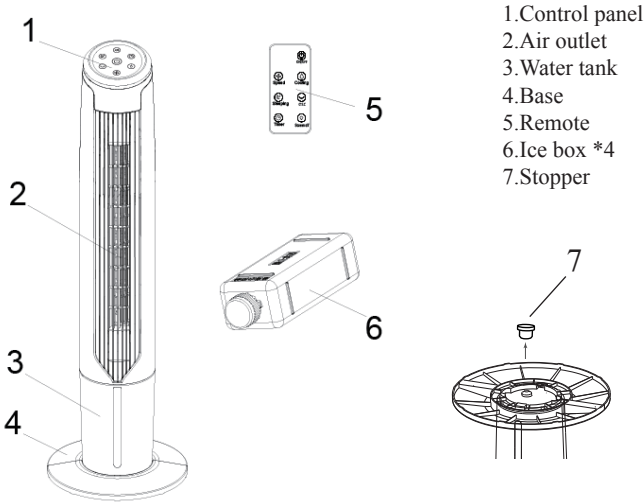
WARNING: To reduce the risk of fire, electric shock, or injury to person:

1. Read all instructions before using. The product is for household use only.
 2. Before first use, please check that the voltage you use is in accordance with the product nameplate requirements.
 3. Always turn the product to the OFF position and unplug it from the electrical outlet when not in use.
 4. Extreme caution is necessary when the appliance is used by or near children, invalids or elderly person.
 5. Do not run cord under carpeting and do not cover cord with throw rugs, runners or the like. Arrange cord away from traffic area and where it will not be tripped over.
 6. Please check the power cord and plug for breakage before using it.
 7. Do not operate the appliance with a damaged cord or plug, or after the unit malfunctions, has been dropped, or damaged in any manner.
 8. If the supply cord is damaged, it must be replaced by the manufacturer or its service agent or a similarly qualified person to avoid a hazard.
 9. Use the appliance in a well-ventilated area. While using, distance of no less than 4”(20cm) should be kept away from wall or corner to ensure the air intakes or exhaust openings should not be blocked unexpectedly. The unit must not be located directly below or besides a curtain or the likes.
 10. Use the appliance on flat, dry floor only.
 11. Do not use in high temperature, humidity, dusty or volatile places such as acid-base oil.
 12. Do not twist or pull the power cord to avoid bad contact.
 13. Do not place heavy objects on the machine to prevent pressure breakdown from causing trouble.
 14. Make sure the appliance is disconnected from the power supply when the power is cut off or moving.
 15. Do not place machine directly under the power outlet.
 16. When the whole machine is running, blocking duct and rear shell intake are not allowed. Don't use wire to plug into the passageway to prevent electric shock.
 17. During the automatic oscillation process, do not change the orientation with the hand to avoid damaging the shaking structure.
 18. Turn off the power supply before pulling out the plug. Do not pull the power cord. Pull out the power plug, otherwise it will lead to short circuit, fire and electric shock.
 19. Do not use wet hand to pull out the power plug, there is a danger of electric shock and induction.
 20. When leaving the room for a long time, please turn off the machine and unplug the plug.
 21. Do not use in places where curtains are easy to suck in. Avoid obstacles and unstable places around you.
22. This appliance is not intended for use by persons (including children) with reduced physical, sensory or mental capabilities, or lack of experience and knowledge, unless they have been given supervision or instruction concerning use of the appliance by a person responsible for their safety.

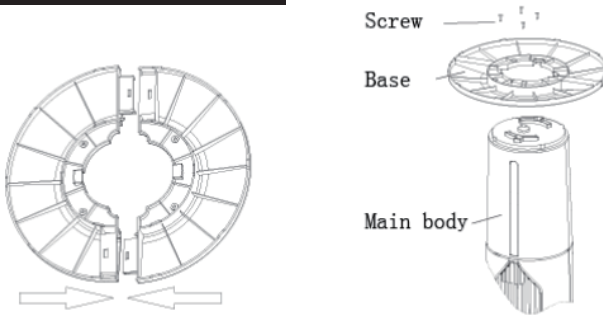
FOR HOUSEHOLD USE ONLY TECHNICAL SPECIFICATIONS

| | |
|---------------------|-----------------|
| Model No | EP24829/ DC2002 |
| Voltage | 120V AC |
| Frequency | 60Hz |
| Rated Power | 45W |
| Water Tank Capacity | 0.66 Gallon |
| Water Consumption | 0.05Gallon/h |

PRODUCT OVERVIEW

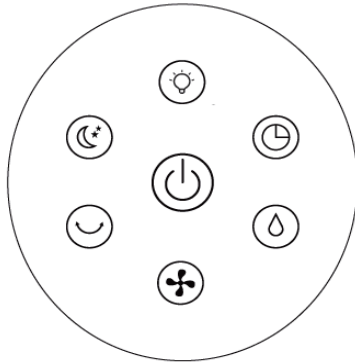



PRODUCT OVERVIEW




1. Take out the base components, then align the matching holes, and assemble the two bases into a circular base.
2. Turn the base upside down, assemble the base assembly in the previous step to the main body, and then fix it with the 4 screws.

INSTRUCTIONS FOR US
Control panel




1. "ON/OFF" button 


Press the "ON/OFF" button to start or stop the fan.

2. "SPEED" button 


Press the "SPEED" button to set the desired fan speed ("Low - 1", "Medium - 2" or "High - 3").

3. "TIMER" button 

Set the desired shutdown time by pressing the "TIMER" button. Also it allows you to set an automatic switch on time. The options are 1-9 hours.

4. "OSC" button 

Press the "OSC" button to move the fan from side to side. Press the "OSC" button again to stop the process.

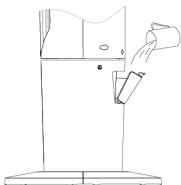
5. "COOLING" button 

Press the button of "COOLING", the wind will be cooled if you have added water or water with the ice box. Press the "COOLING" button again to stop the cool function.

Note: The fan will be turned off after 5 minutes of high-speed delay operation to dry the wet curtain, when in cooling function mode.

Caution: Do not start the cool function if there is no water in the water tank as this will damage the water pump. DO NOT add water when the power is on.

A. How to add water



Pull out the back cover, then add clean water to the water tank.

Warning : When adding water, the water level in the water tank must not exceed the "MAX" mark, nor can it be lower than the "MIN" mark.

Warning: Be careful of the sharp edge of the water tank!

B. How to use ice box

If you want to use an ice box (4 sealed ice boxes are included)

Place it in your freezer and leave it for 1 to 2 hours. Then put the frozen ice box into the water tank.

Caution: Do not place the ice box into the water tank when the water tank is full. The ice box is permanently sealed. Do not open the ice box or try to put the cooling gel directly into the water tank. This can cause damage to the water pump.

6. "SLEEPING" button

Press to turn the sleeping mode ON to work with wind speed.

High speed + sleeping mode: The appliance runs at each speed level of High(3) - Medium (2) -Low (1) for 30 minutes and keeps running under low speed.

Medium speed + sleeping mode: The appliance runs at each speed level of Medium (2) -Low (1) for 60 minutes and keeps running under low speed.

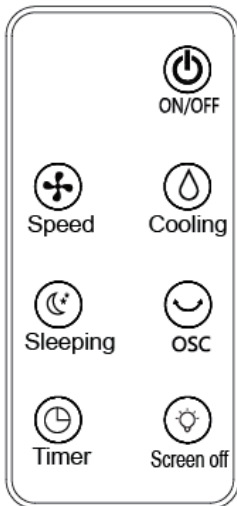
Low speed + sleeping mode: The appliances keeps running under low speed.

7. "SCREEN OFF" button

You can wake up or turn off the display by this button.

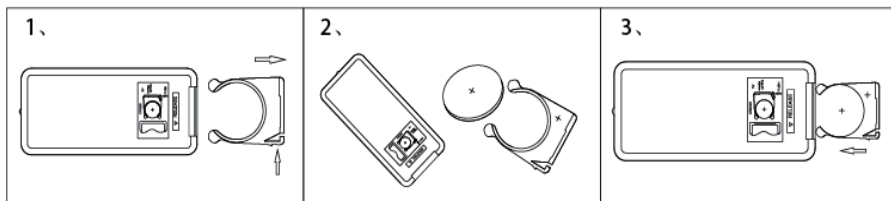
If there is no operation in the power-on state for 3 minutes, the screen will automatically go off.

Remote control:



The above functions can be controlled using the remote control by pressing the corresponding function buttons.

Battery installation:



1. Pull out the remote control battery holder according to the assembly drawing on the back of the remote control.
2. Put the battery into the battery holder, pay attention to the positive and negative poles of the battery.
3. Reinstall the battery holder with the battery in the remote control.

TROUBLESHOOTING

| TROUBLE | POSSIBLE CAUSE | CORRECTIVE ACTION |
|--|--|--|
| Fan fails to operate | <ol style="list-style-type: none"> 1. Unplugged or poorly contacted power cord. 2. Failure to press the switch. 3. Machine damaged. | <ol style="list-style-type: none"> 1. Plug in the power cord. 2. Press the switch. 3. Delivery to Maintenance Point for Maintenance |
| Unable to shutdown | Machine damaged. | Delivery to Maintenance Point for Maintenance |
| Abnormal sound | <ol style="list-style-type: none"> 1. Wind wheel loosening. 2. Motor breakdown. | <ol style="list-style-type: none"> 1. Delivery to Maintenance Point for Maintenance. 2. Delivery to Maintenance Point for Maintenance. |
| Can not change the direction of the wind | Breakdown of wind guide synchronous motor. | Delivery to Maintenance Point for Maintenance. |

MAINTENANCE AND STORAGE

Cut off the power supply before maintenance

1. When the body has oil pollution, it must be cleaned up to avoid discoloration and damage.
2. Do not rinse directly with water.
3. Do not wipe with diluent, toluene, acid lotion, oil, etc. to avoid discoloration or deterioration.
4. To clean the air filter: Unplug the power cord, unsew the airfilter and take it apart. Clean it using clean water and a soft brush.
5. To clean the wet curtain paper: Take the wet curtain paper out and clean it using clean water and a soft brush. Reinstall the wet curtain paper after cleaning. To avoid any leakage, the wet curtain paper must be installed properly.
6. Before storage, remove all water from the water tank by opening the stopper on the bottom. If the appliance will not be used for a long time, the parts should be packed into the original package and placed in a dry place for proper storage.



With your inspiring rating, COSTWAY will be more consistent to offer you EASY SHOPPING EXPERIENCE, GOOD PRODUCTS and EFFICIENT SERVICE!

Mit Ihrer inspirierenden Bewertung wird COSTWAY konsistenter sein, um Ihnen EIN SCHÖNES EINKAUFSERLEBNIS, GUTE PRODUKTE und EFFIZIENTEN SERVICE zu bieten!

Avec votre évaluation inspirante, COSTWAY continuera à fournir une EXPÉRIENCE D'ACHAT PRATIQUE, des PRODUITS DE QUALITÉ et un SERVICE EFFICACE !

Con su calificación inspiradora, COSTWAY será más consistente para ofrecerle EXPERIENCIA DE COMPRA FÁCIL, BUENOS PRODUCTOS y SERVICIO EFICIENTE.

Con la tua valutazione incoraggiante, COSTWAY sarà più coerente per offrirti ESPERIENZA DI ACQUISTO FACILE, BUONI PRODOTTI e SERVIZIO EFFICIENTE!

Dzięki twojej opinii COSTWAY będzie mógł oferować jeszcze WYGODNIEJSZE ZAKUPY, LEPSZE PRODUKTY i SPRAWNIEJSZĄ OBSŁUGĘ KLIENTA.

US office: Fontana

UK office: Ipswich

DE office: FDS GmbH, Neuer Höltigbaum 36, 22143 Hamburg, Deutschland

FR office : 26 RUE DU VERTUQUET, 59960 NEUVILLE EN FERRAIN, FRANCE

