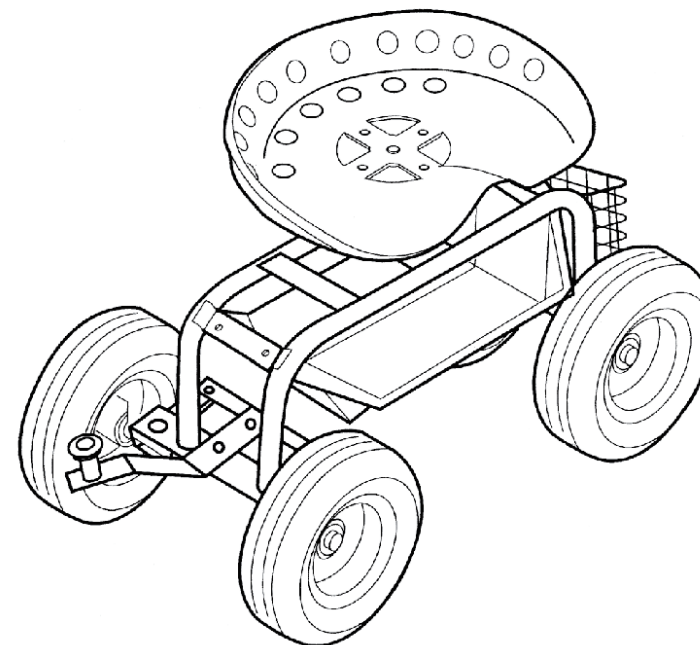


**COSTWAY**<sup>®</sup>



**USER'S MANUAL**

**Garden Cart Rolling Work Seat  
GT3450**

THIS INSTRUCTION BOOKLET CONTAINS **IMPORTANT** SAFETY INFORMATION. PLEASE READ AND KEEP FOR FUTURE REFERENCE.

**Please give us a chance to make it right and do better!**

Contact our friendly customer service department for help first.

Replacements for missing or damaged parts will be shipped ASAP!

**Follow Costway**

Visit us: [www.costway.com](http://www.costway.com)



# Contact Us!

**Do NOT return this item.**

Contact our friendly customer service department for help first.



## Before You Start

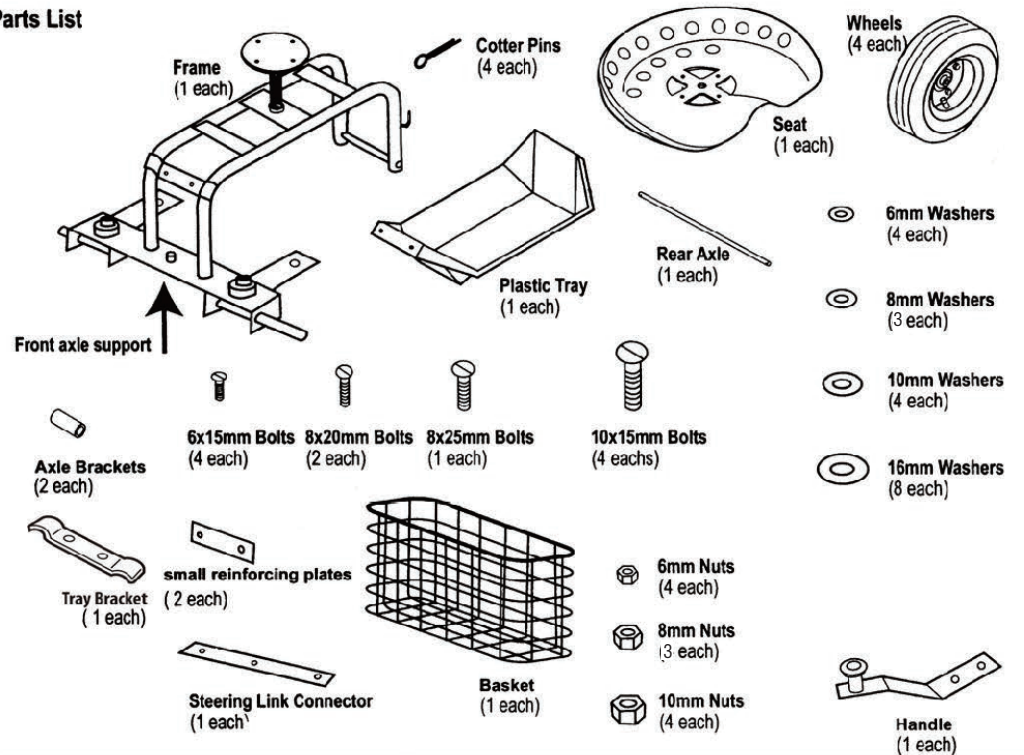
- ⚠ Please read all instructions carefully.
- ⚠ Retain instructions for future reference.
- ⚠ Separate and count all parts and hardware.
- ⚠ Read through each step carefully and follow the proper order.
- ⚠ We recommend that, where possible, all items are assembled near to the area in which they will be placed in use, to avoid moving the product unnecessarily once assembled.
- ⚠ Always place the product on a flat, steady and stable surface.
- ⚠ Keep all small parts and packaging materials for this product away from babies and children as they potentially pose a serious choking hazard.

**Safety Instructions**

This is not a toy. Not for use by children  
 Maximum load capacity of rolling seat: 330 lb  
 Maximum load capacity of plastic tray: 5 lb  
 Do not overinflate the tires. Maximum pressure is 30 psi.  
 Do not use on inclines, seat may tip.  
 Do not operate if any part is damaged or broken.

This product requires assembly. Carefully remove all the parts from the box and identify and organize them before proceeding with the assembly. Refer to the Parts List diagram below. You will require two Phillips screwdrivers (#2 and #3) and two adjustable wrenches.

**Parts List**



**Read these instructions completely before beginning assembly.**

**STEP 1**

Place the frame as shown in Figure 1. Attach the plastic tray where shown in Figure 1, using the two small reinforcing plates, four 6x15mm bolts, four 6mm washers, and four 6mm nuts. Attach the basket where shown in Figure 1

**STEP 2**

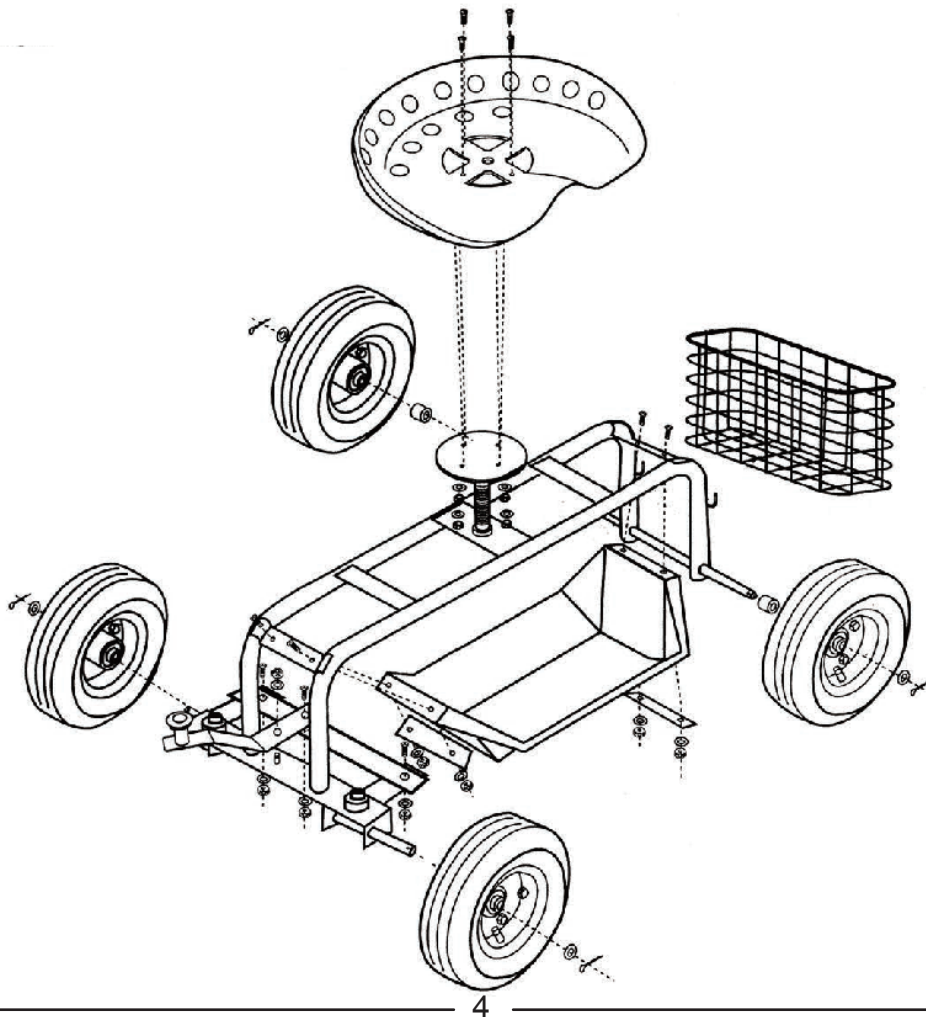
Insert the rear axle into the back of the frame. Slide one axle bracket onto each end of the rear axle. Mount one 16mm washer and one wheel (with the valve stem facing out), then slide another 16mm washer onto each axle (front and rear). Insert a cotter pin through the predrilled hole at the end of the axle. Be sure to open and fold the cotter pin over to secure the wheel in place.

**STEP 3**

Place the steering link connector (nub side up) onto the front axle support assembly. Secure with one 8x25mm bolts(in the middle),two 8x20mm bolts(on both sides),three 8mm washers and three 8mm nuts.

**STEP 4**

Attach the seat to the seat post (already mounted on the frame) using four M10x15mm bolts, four 10mm washers, and four10mm nuts. Rotate the seat to adjust the height of the seat.



**Welcome to visit our website and purchase our quality products!**

Your suggestions and comments for COSTWAY are really important to us! We sincerely solicit you to go back to our shop and leave a good rating in just a simple click. It would be quite encouraging if you could kindly do so like below:

★★★★★ Great products so far

February 24, 2019  
Great products so far. Fast delivery, easy setup, and working without any issues.

With your inspiring rating, COSTWAY will be more consistent to offer you EASY SHOPPING EXPERIENCE, GOOD PRODUCTS and EFFICIENT SERVICE!

US office: Fontana, California

UK office: Ipswich



- \* Reward Points
- \* Exclusive Customer Service
- \* Personalized Recommendations
- \* Permanent Shopping Cart
- \* Order History

*5 Star Rating*



We would like to extend our heartfelt thanks to all of our customers for taking time to assemble this product and giving us valuable feedbacks.

*THANK YOU*  
☺