
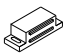









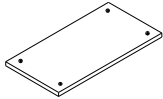
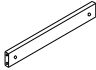
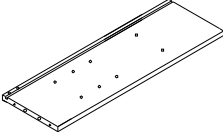
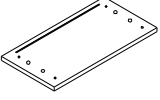
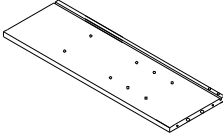
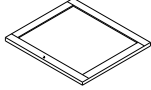
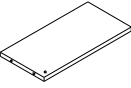
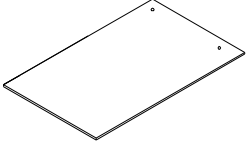
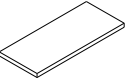


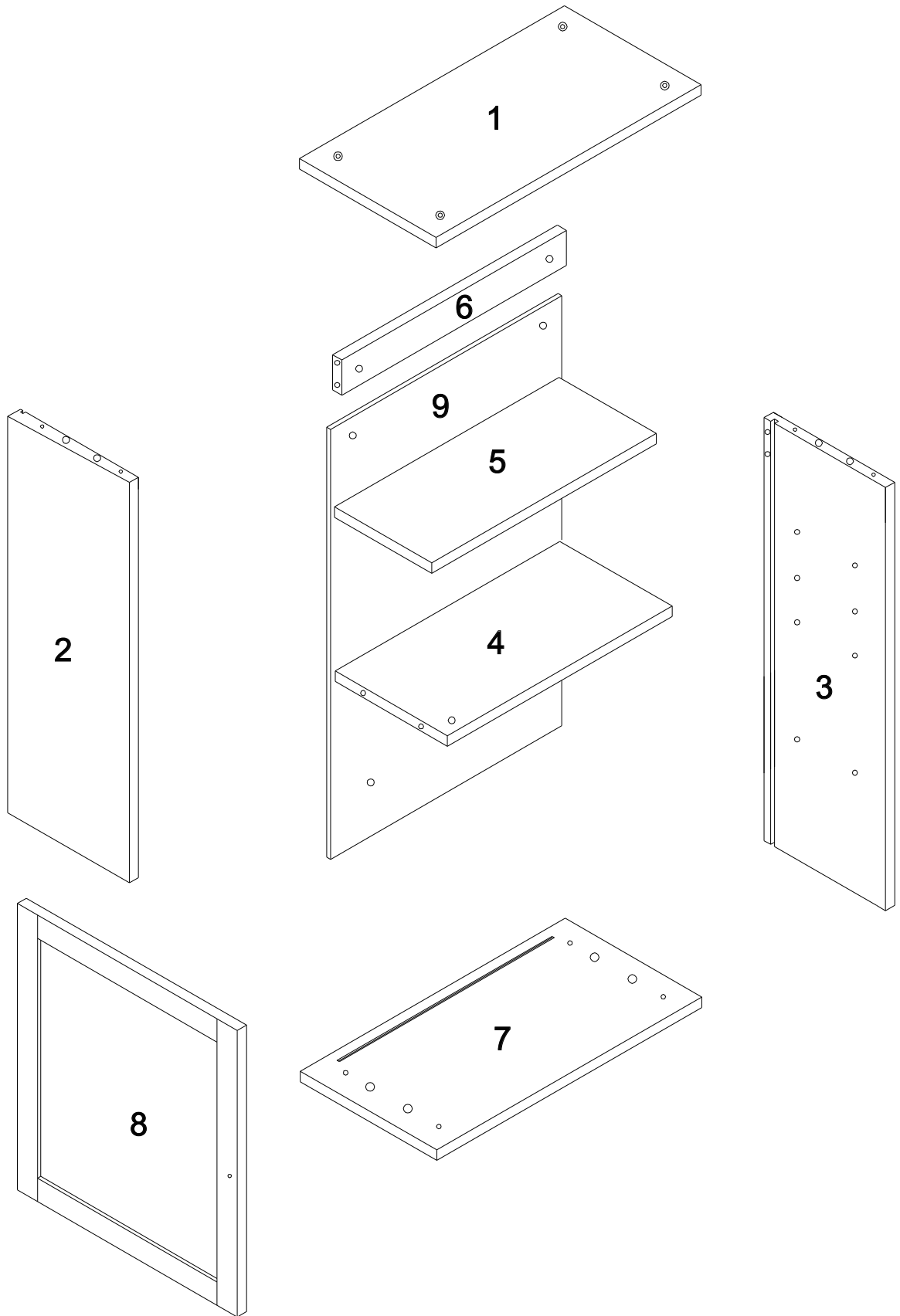
## Hardware List

<b>A</b>		16 pcs	<b>E</b>		1 pc	<b>I</b>		2 pcs
<b>B</b>	 4*30mm	8 pcs	<b>F</b>		1 pc	<b>J</b>		2 pcs
<b>C</b>	 4*40mm	2 pcs	<b>G</b>		1 pc	<b>k</b>		4 pcs
<b>D</b>	 3*12mm	7 pcs	<b>H</b>		1 pc			





# Parts List

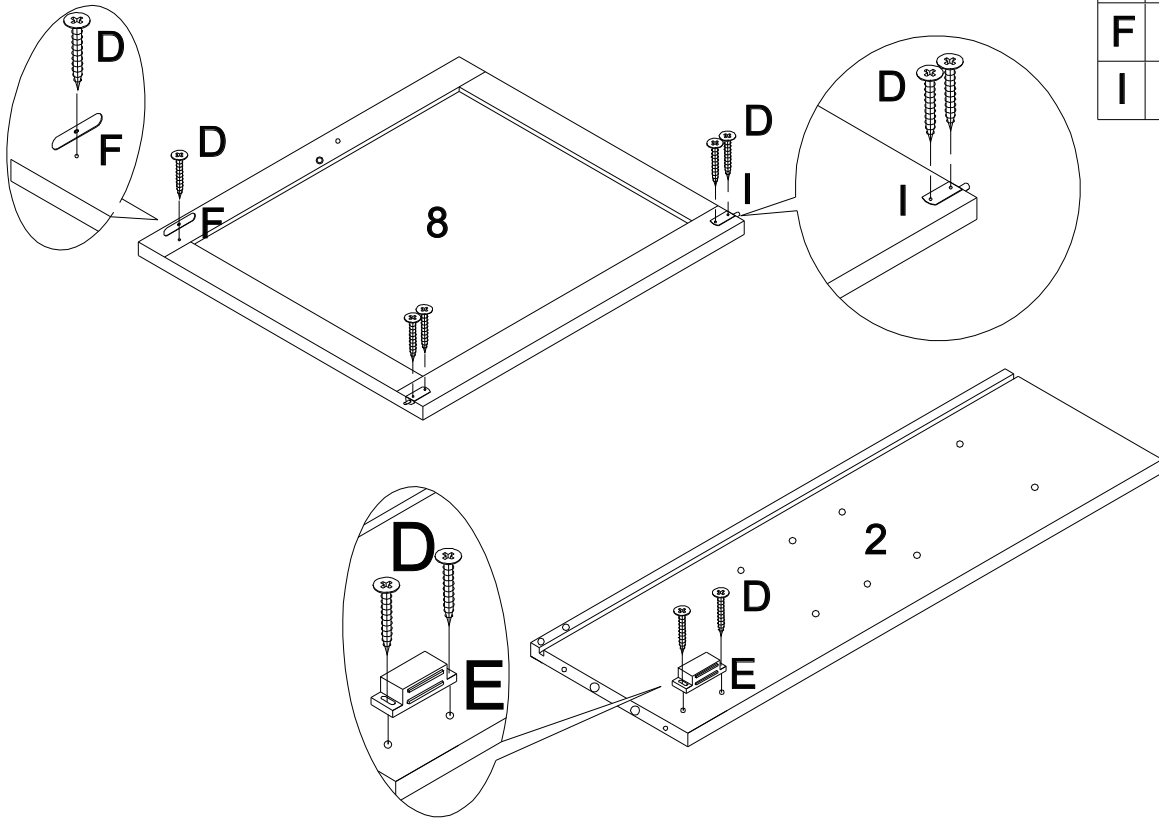
<b>1</b>		1 pc	<b>6</b>		1 pc
<b>2</b>		1 pc	<b>7</b>		1 pc
<b>3</b>		1 pc	<b>8</b>		1 pc
<b>4</b>		1 pc	<b>9</b>		1 pc
<b>5</b>		1 pc			

# Part List Assembly Overview



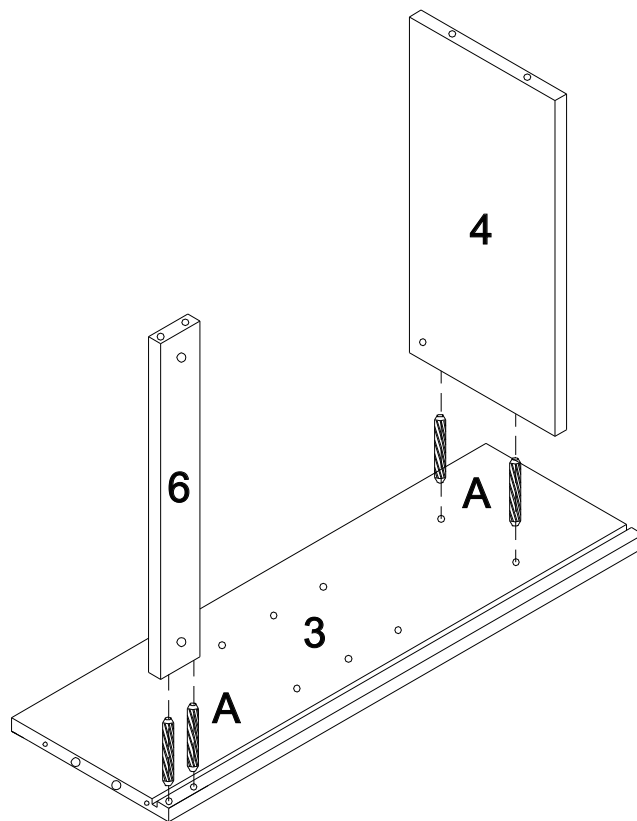
# Step 1

D		7 pcs
E		1 pc
F		1 pc
I		2 pcs



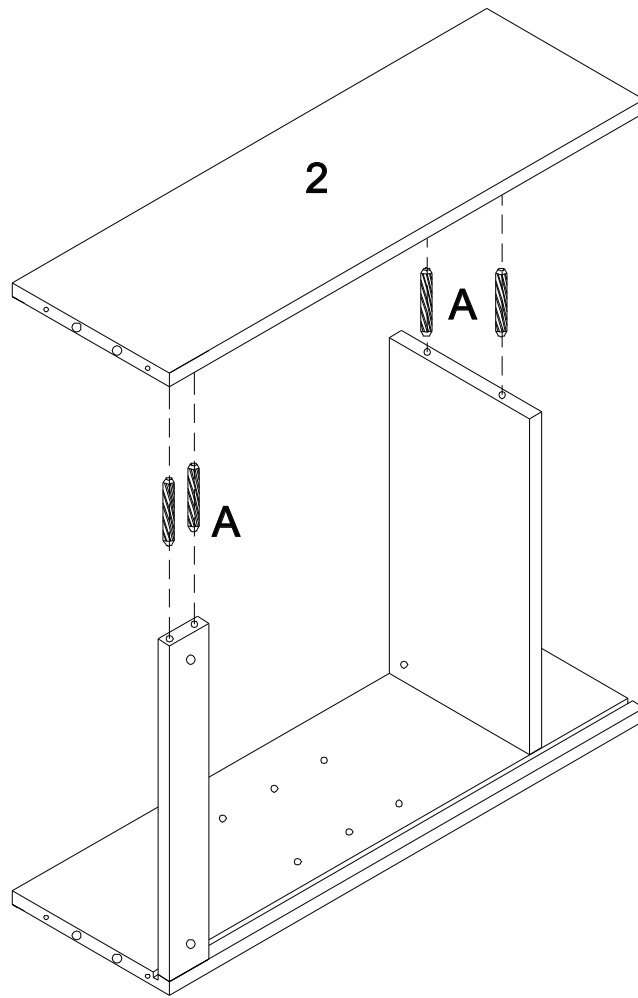
# Step 2

A		4 pcs
---	---	-------





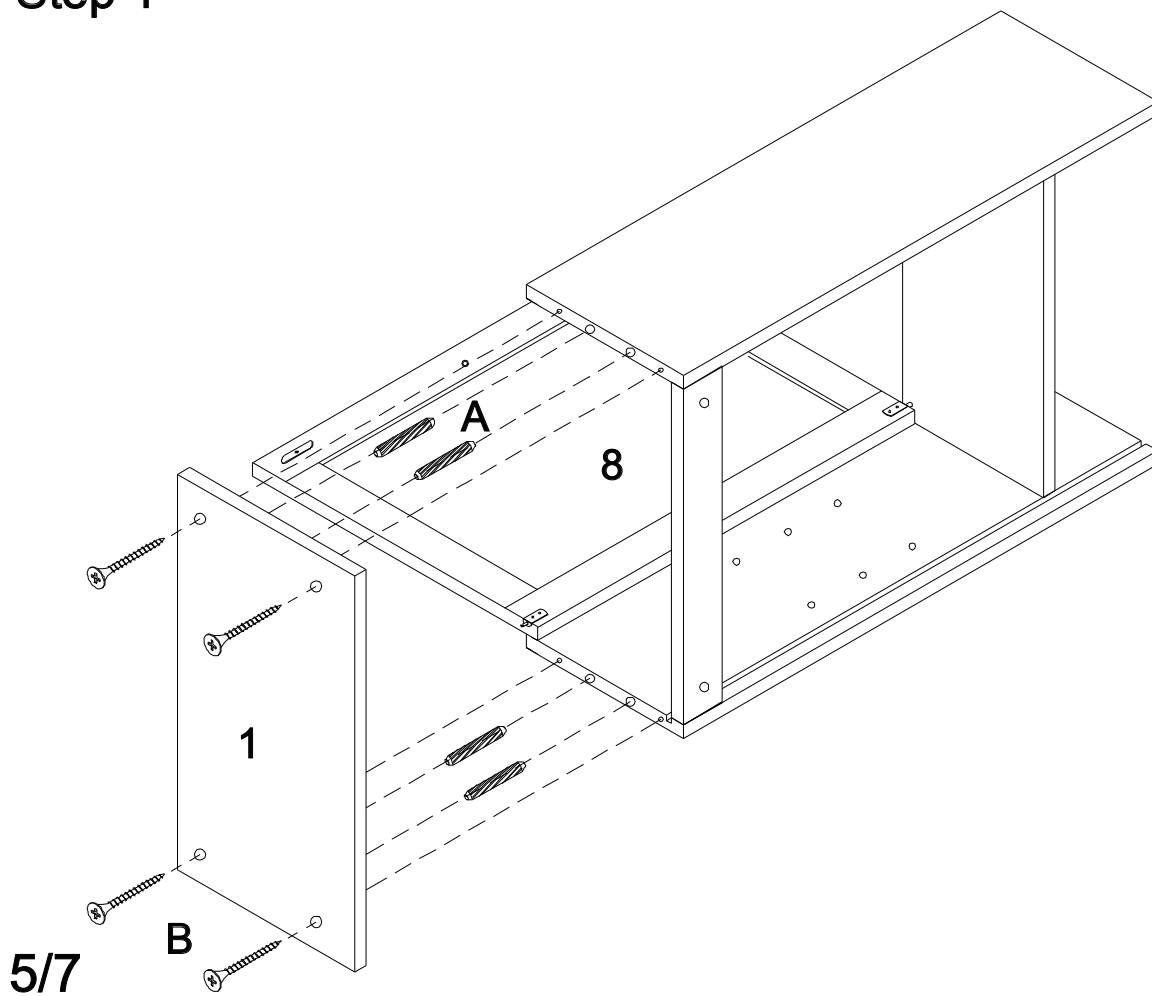
# Step 3

A		4 pcs
---	--	-------

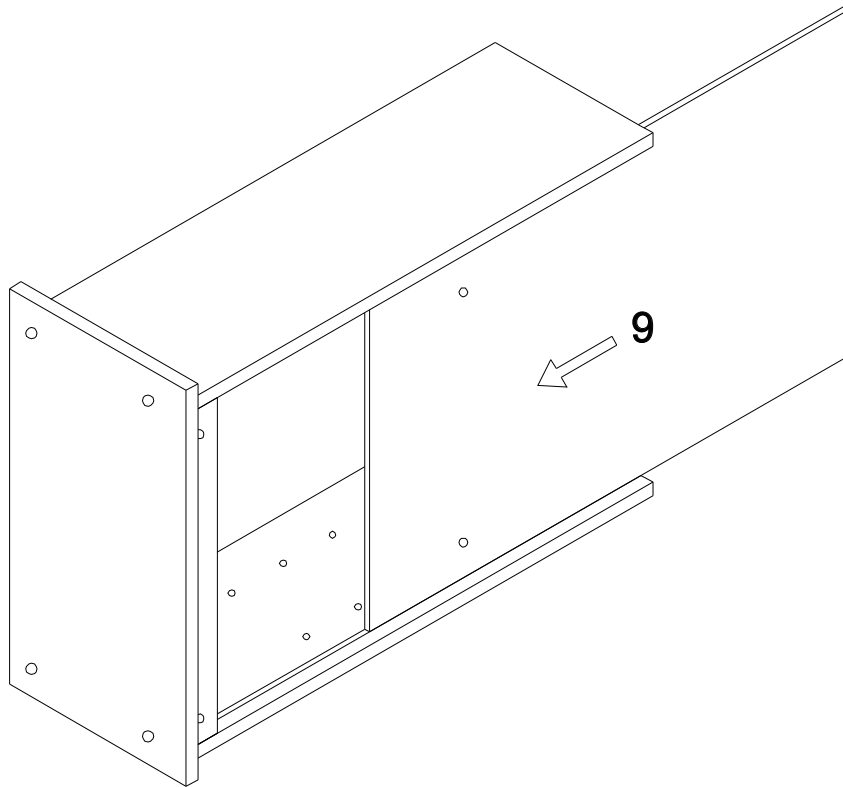


# Step 4

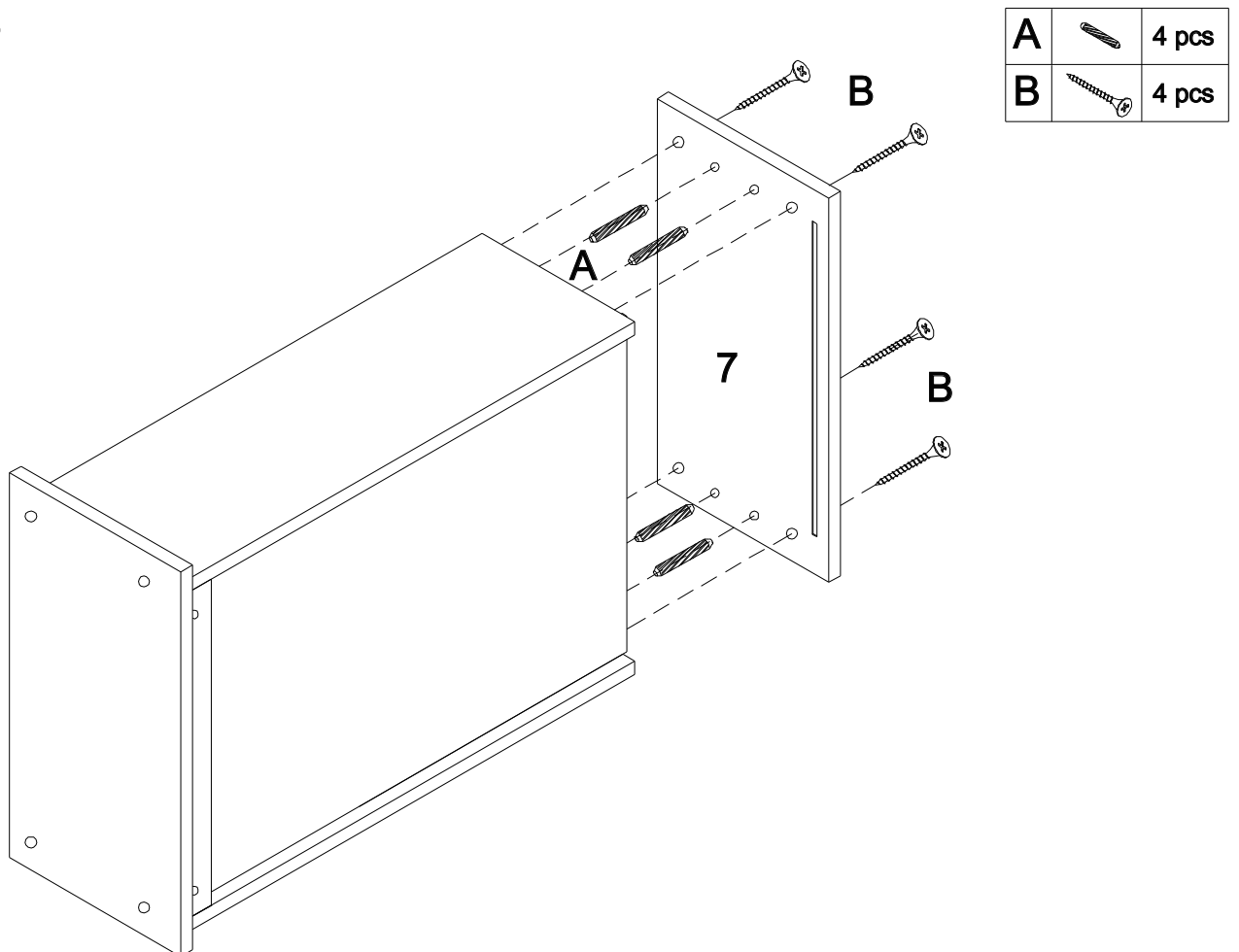
A		4 pcs
B		4 pcs



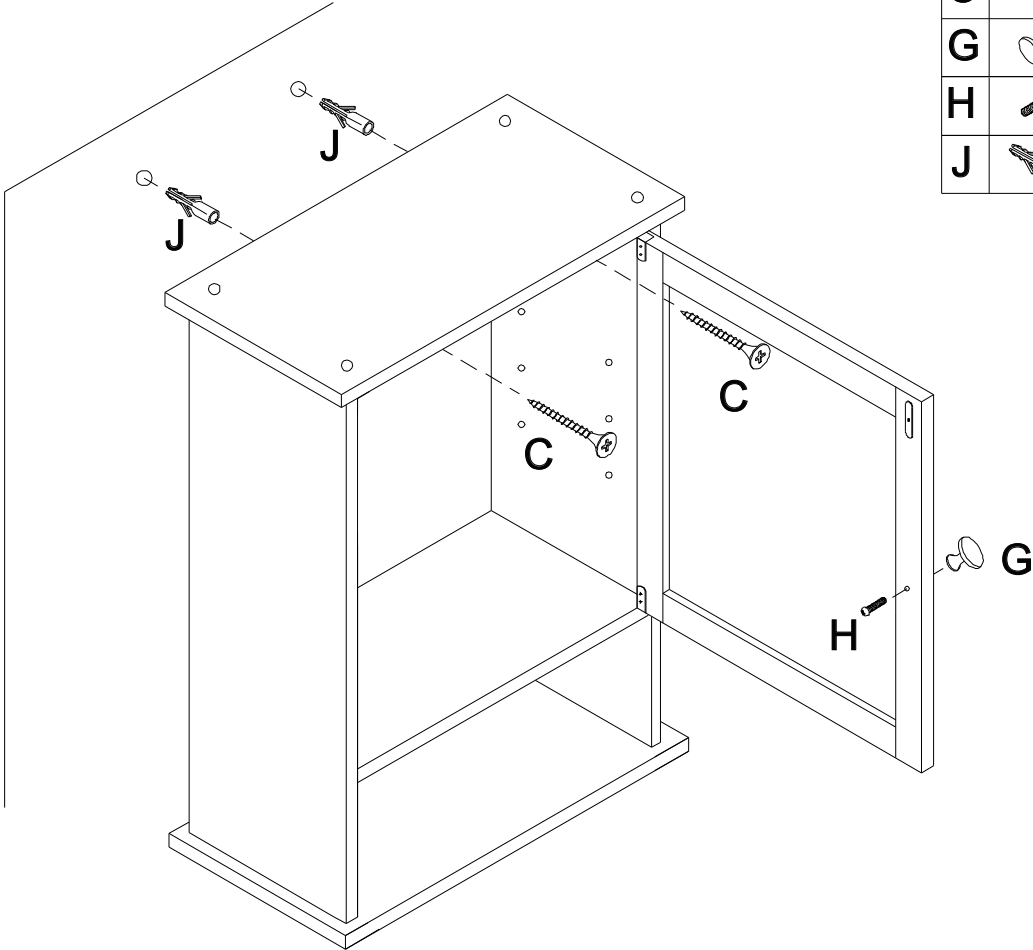
# Step 5



# Step 6

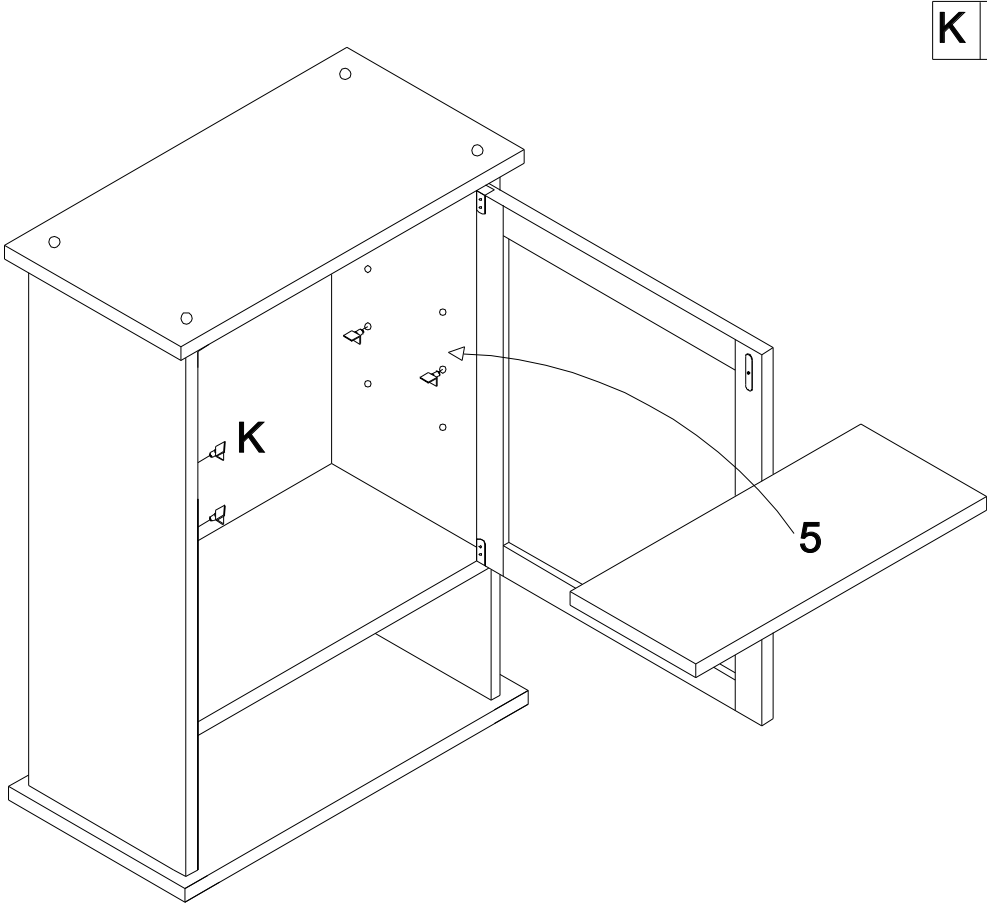


# Step 7



C		2 pcs
G		1 pc
H		1 pc
J		2 pcs

# Step 8



K		4 pcs
---	--	-------