

COSTWAY®










USER'S MANUAL

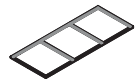
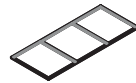
Wicker Storage Box NP10549

THIS INSTRUCTION BOOKLET CONTAINS **IMPORTANT** SAFETY INFORMATION. PLEASE READ AND KEEP FOR FUTURE REFERENCE.



Before You Start

-  Please read all instructions carefully.
-  Retain instructions for future reference.
-  Separate and count all parts and hardware.
-  Read through each step carefully and follow the proper order.
-  We recommend that, where possible, all items are assembled near to the area in which they will be placed in use, to avoid moving the product unnecessarily once assembled.
-  Always place the product on a flat, steady and stable surface.
-  Keep all small parts and packaging materials for this product away from babies and children as they potentially pose a serious choking hazard.



(A) x1

(B) x1

(C) x1

(D) x1

(E) x1

(F) x1



(G) x1

(H) x1

(I) x2

(J) x2

(K) x2



M6x15mm

M6x15mm

M6x30mm

M6x26mm

T4.0

(L) x4

(M) x34

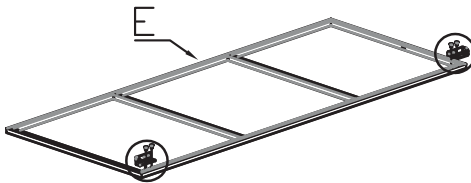
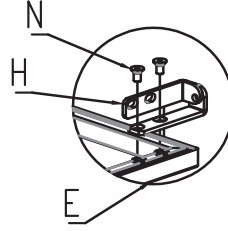
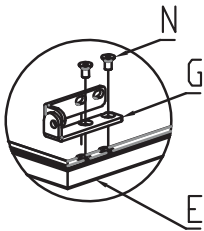
(N) x8

(P) x12

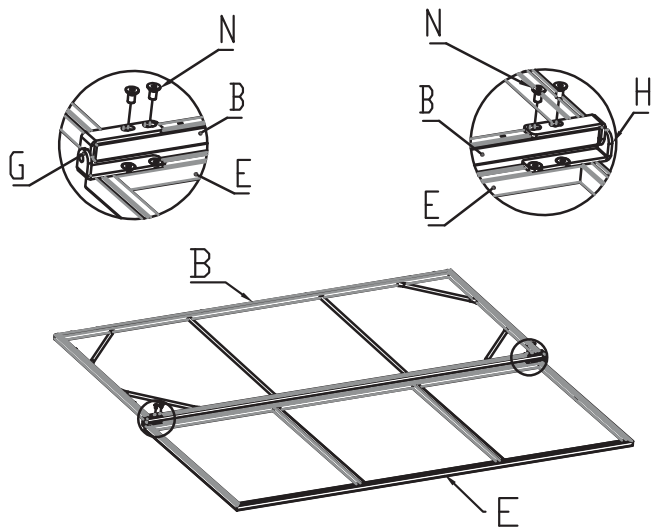
(Q) x8

(R) x14

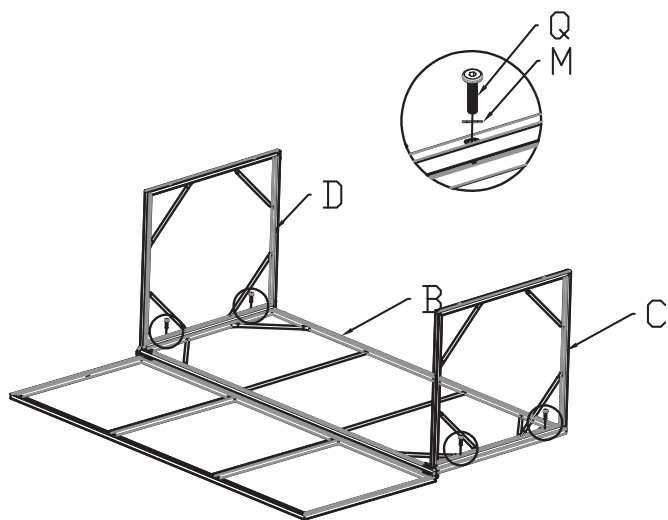
1



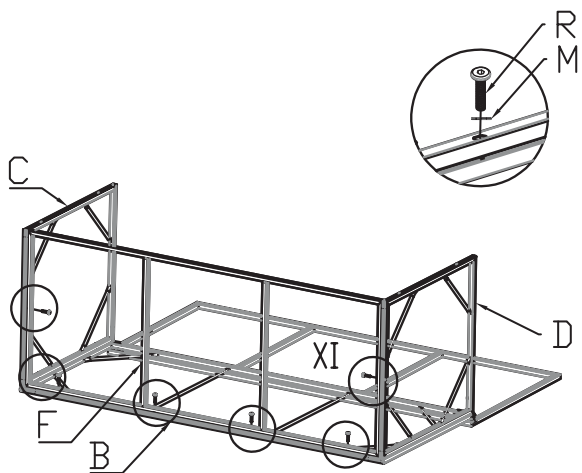
2



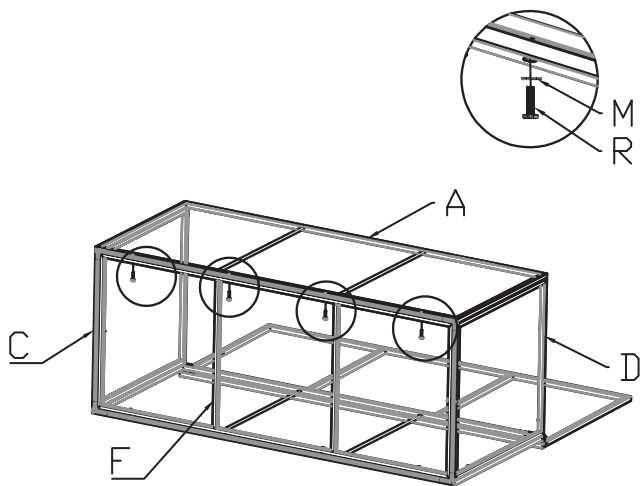
3



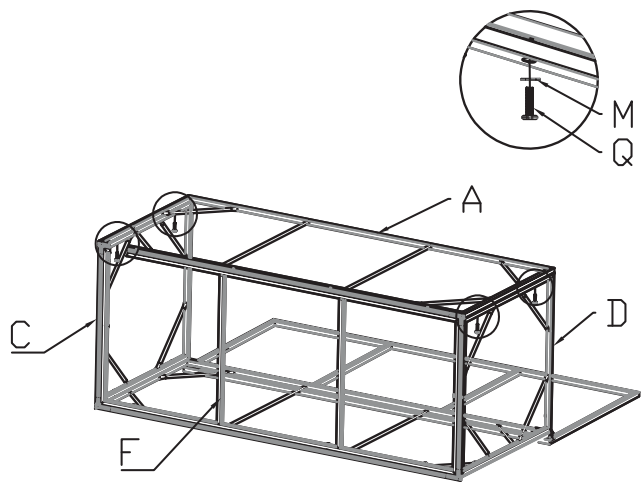
4



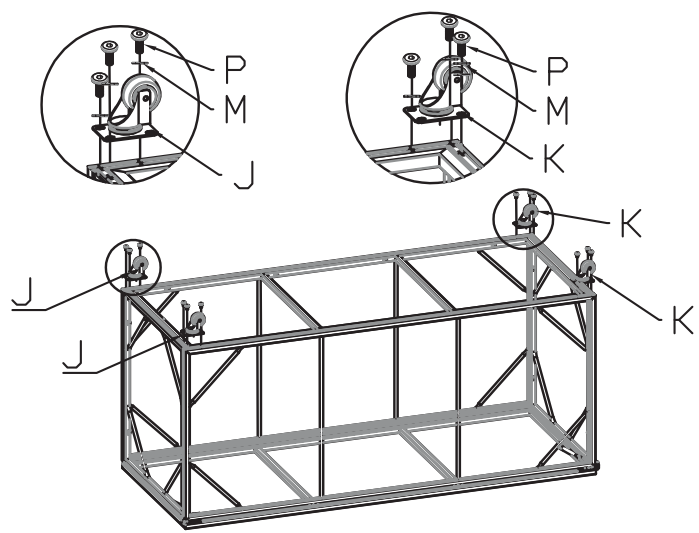
5



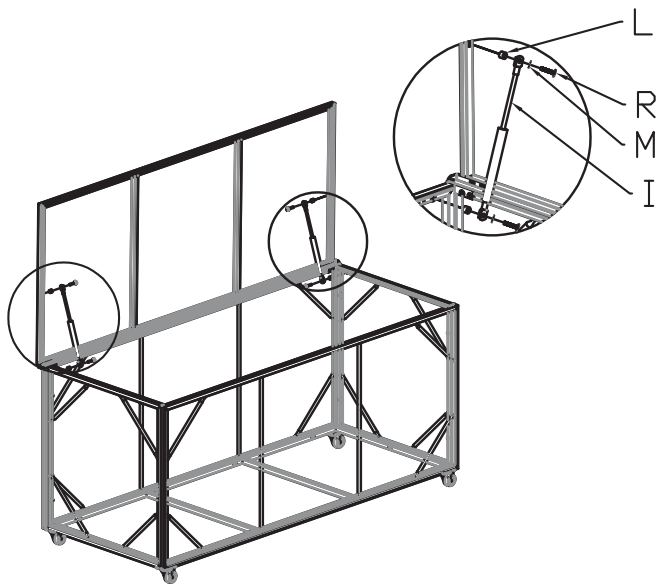
6



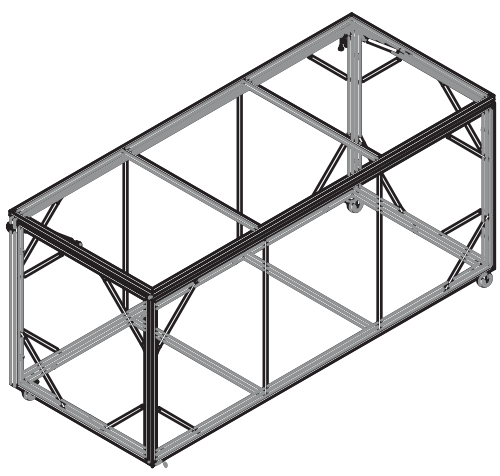
7



8



9





Please give us a chance to make it right and do better !

Contact our friendly customer service department for help first.
Replacements for missing or damaged parts will be shipped ASAP !

US office: Fontana **UK** office: Ipswich **AU** office: Truganina
DE office: Hamburg **FR** office: Saint Vigor d'Ymonville **PL** office: Gdańsk



Contact Us!

Do NOT return this item.

Contact our friendly customer service department for help first.



US: cs.us@costway.com

UK: cs.uk@costway.com

AU: cs.au@costway.com