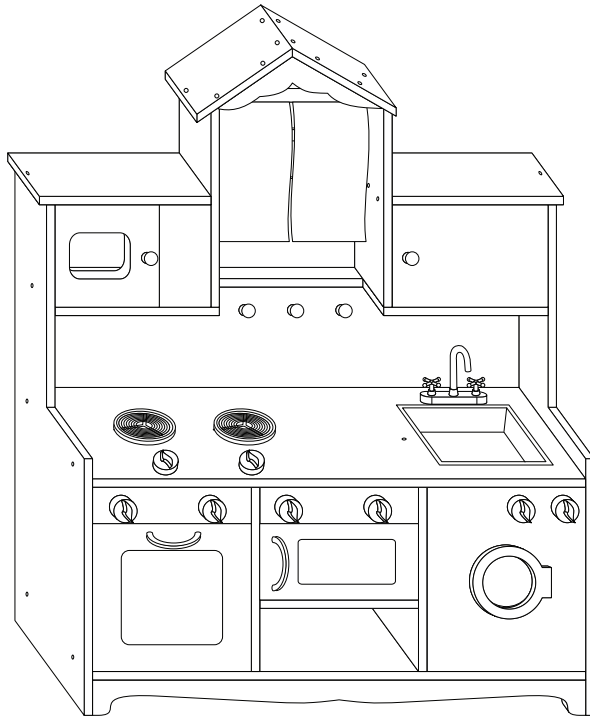




COSTWAY[®]



USER'S MANUAL

Kids Play Kitchen TY327902

THIS INSTRUCTION BOOKLET CONTAINS **IMPORTANT** SAFETY INFORMATION. PLEASE READ AND KEEP FOR FUTURE REFERENCE.

Please give us a chance to make it right and do better!

Contact our friendly customer service department for help first.

Replacements for missing or damaged parts will be shipped ASAP!

Follow Costway

Visit us: www.costway.com



Contact Us!

Do NOT return this item.

Contact our friendly customer service department for help first.



Before You Start

Please read all instructions carefully and keep it for future reference.

General Security Warning

Caution: The Product is not suitable for the children under 3 years

Danger: Keep all small parts and packaging materials for this product away from babies and children, otherwise they may pose a choking hazard.

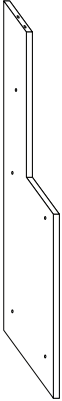

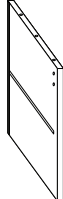
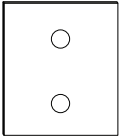


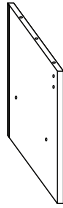


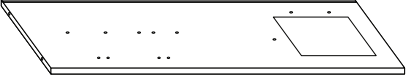






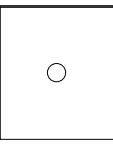
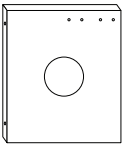
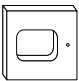
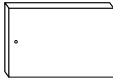
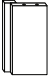
Danger: Lack of attachment may cause a risk of tipping.


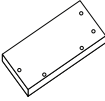

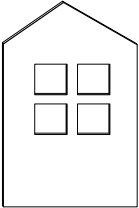
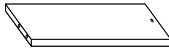
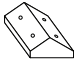
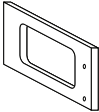
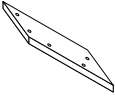


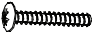










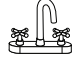

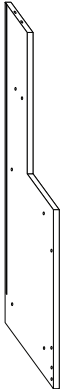






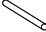


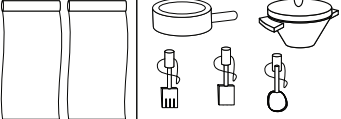


WARNING:
CHOKING HAZARD-Small parts.
Not for children under 3 years.

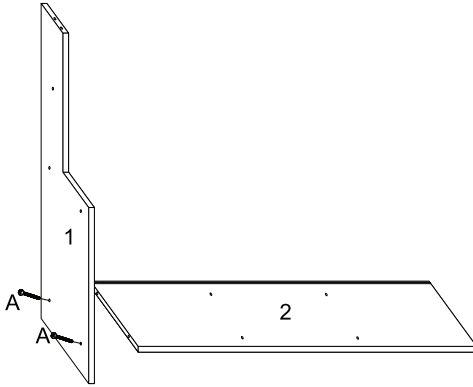
Warning for Assembly

- △ Construction only by adults
- △ Remove all Packaging, separate and count all parts and hardware.
- △ Read through each step carefully and follow the proper order.
- △ We recommend that, where possible, all items are assembled near to the area in which they will be placed in use, to avoid moving the product unnecessarily once assembled.
- △ Ensure a secure surface during construction, and place the product always on a flat, steady and stable surface.

 1: 1PC	 2: 1PC		 7: 1PC	 9: 1PC
	 3: 1PC	 4: 1PC		 8: 1PC
	 5: 1PC	 6: 1PC		
 13: 1PC		 15: 1PC		 18: 1PC
 14: 1PC		 16: 1PC	 17: 1PC	 19: 1PC
 11: 1PC	 12: 1PC	 20: 1PC	 21: 1PC	 22: 1PC

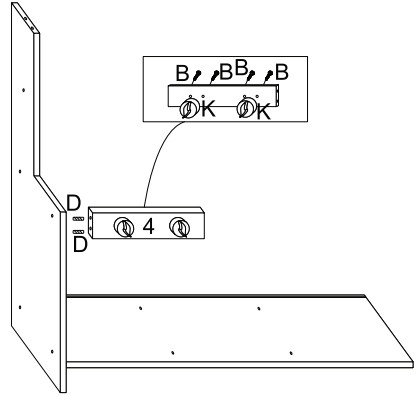
 23: 1PC		 26: 1PC		 29: 1PC									
 24: 1PC		 27: 1PC		 30: 1PC				32: 1PC					
 25: 1PC		 28: 1PC		 31: 1PC		33: 2PCS							
4X40mm  A: 26PCS		4X14mm  B: 31PCS		4X20mm  C: 2PCS		5X30mm  D: 39PCS		3X16mm  E: 6PCS		3X8mm  F: 40PCS			
 J: 2PCS		 K: 8PCS		 L: 1PC		 M: 2PCS		 N: 2PCS		 O: 1PC		 P: 1PC	
 34: 1PC		 35: 1PC				 39: 1PC							
		 36: 1PC				 G: 4PCS		 H: 2PCS		 I: 3PCS			
		 37: 1PC				 Q: 3PCS		 38: 1PC					

1



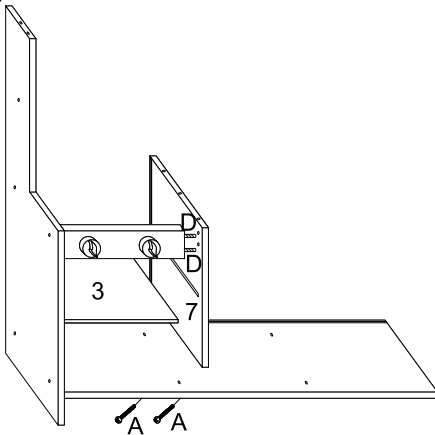
Use A screw to lock No.2 panel on No.1 panel.

2



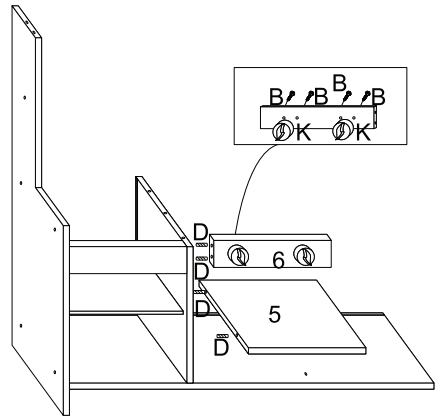
Use B screw to lock K(2pcs) on No.4 panel, insert D(wooden dowel) in No.4 panel on the left side and joint it to No.1 panel.

3



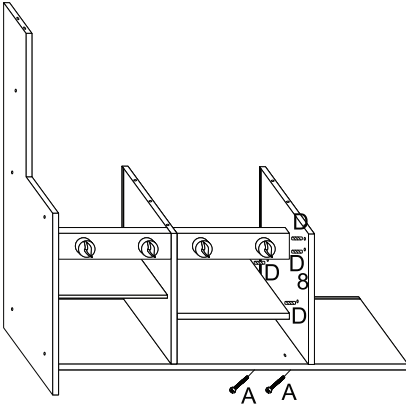
Insert D(wooden dowel) in No.4 panel on the right side, joint it to No.7 panel, use A screw to lock No.7 panel on No.2 panel, put No.3 panel between in No.1 and 7 panel groove.

4



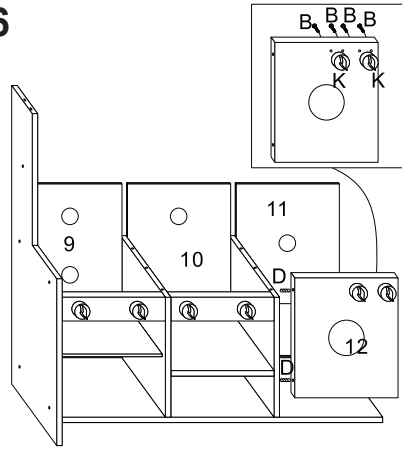
Use B screw to lock K(2pcs) on No.6 panel, insert D(wooden dowel) in No.6 panel on the left joint it to No.7 panel, use D(wooden dowel) in No.5 panel on the left, joint it to No.7 panel.

5



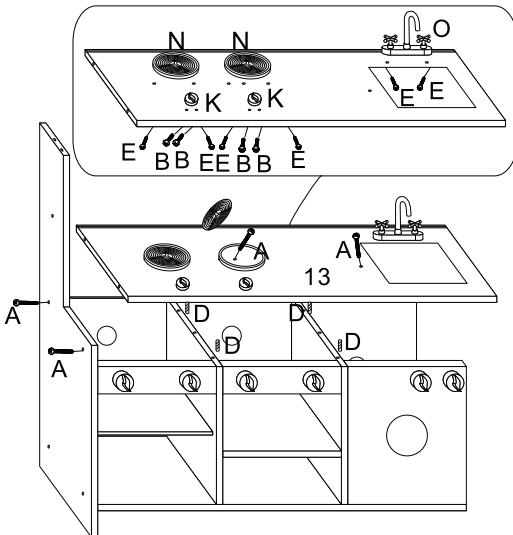
Insert D(wooden dowel) in No.5 and 6 panel on the right side, joint it to No.8 panel, use A screw to lock No.8 panel on No.2 panel.

6



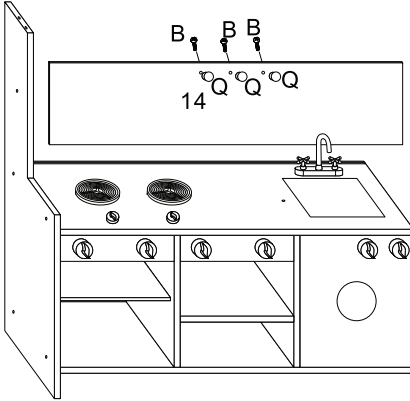
Use B screw to lock K(2pcs) on No.12 panel, insert D(wooden dowel) in No.12 panel on the left joint it to No.8 panel, put in No.9,10,11 panel in backside groove.

7



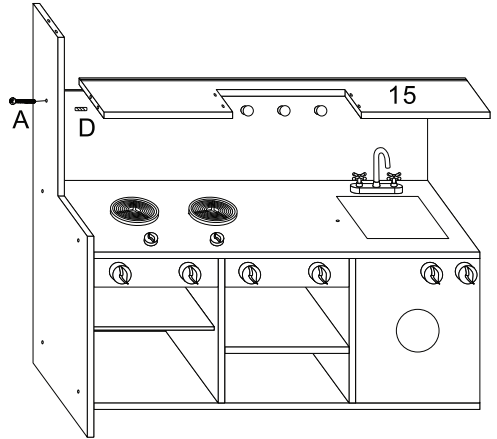
Use B screw to lock K(2pcs) on No.13 panel, use E screw to lock N(2pcs) on No.13 panel, use E screw to lock O(taps) on No.13 panel, insert D(wooden dowel) in No.7 and 8 panel top, joint it to No.13 panel, use A screw to lock No.13 panel on No.1,7,8 panel. Attention: open the right burner cover, then can lock screw A on No.7 panel.

8



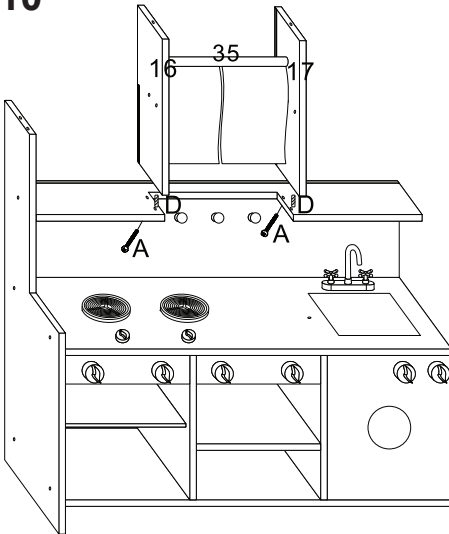
Use B screw to lock Q(3pcs) on No.14 panel, then put it in groove.

9



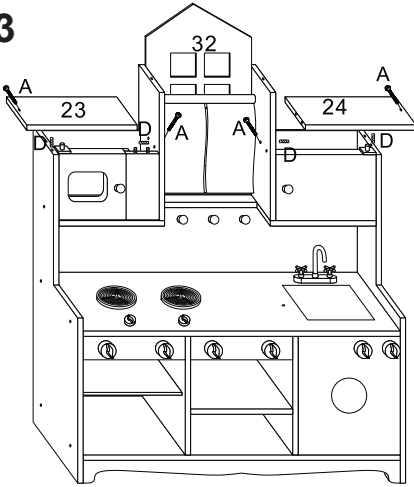
Insert D(wooden dowel) in No.15 panel on the left joint it to No.1 panel, use A screw to lock No.15 panel on No.1 panel.

10



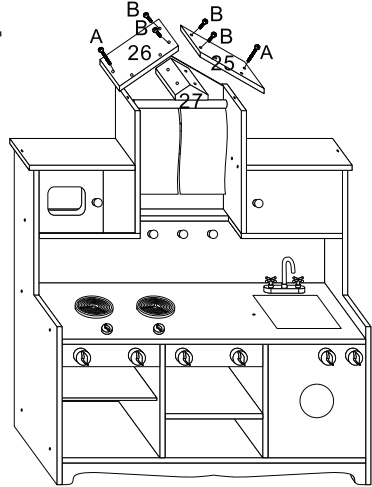
Insert D(wooden dowel) in No.16 and 17 panel bottom, joint it to No.15 panel, use A screw to lock No.16 and 17 panel on No.15 panel, across fabric into No.35 panel, then insert it between No.16 and 17 panel.

13



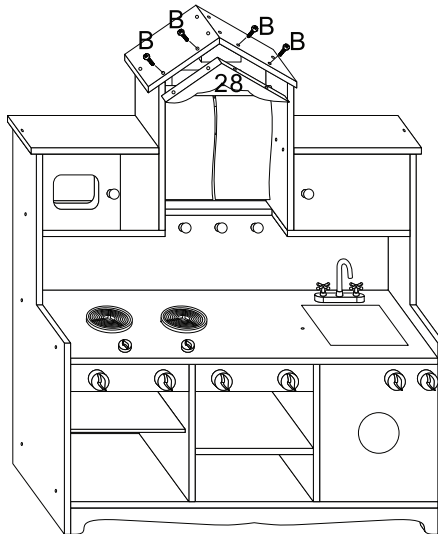
Insert D(wooden dowel) in No.1,16,17,34 panel, use A screw to lock No.23 and 24 panel on it, insert No.32 panel in groove.

14



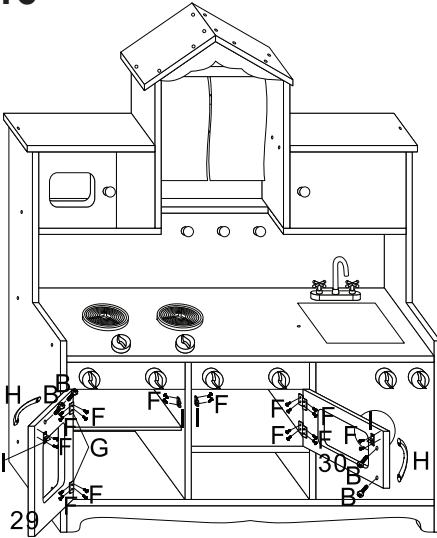
Use B screw to lock No.25 and 26 panel on No.27 panel.

15



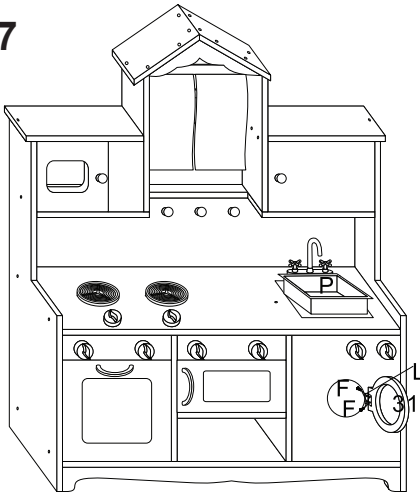
Use B screw to lock No.28 panel on No.25 and 26 panel.

16



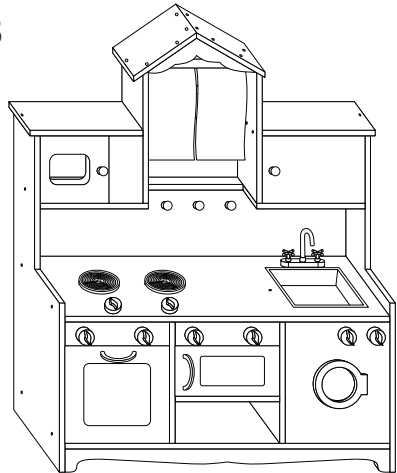
Use B screw to lock H(handle) on No.29 and 30 panel, use F screw to lock I(male hinge) on No.29 and 30 panel, use F screw to lock I(female hinge) on No.7 and 8 panel, use F screw to lock G(hinge) on No.29 and 30 panel.

17



Put P(sink) in counter-table, use F screw to lock L(hinge) on No.31 and 12 panel.

18



Finish the kitchen assembly, buyer can put the accessories in kitchen to play.

Welcome to visit our website and purchase our quality products!

With your inspiring rating, COSTWAY will be more consistent to offer you
EASY SHOPPING EXPERIENCE, GOOD PRODUCTS and EFFICIENT SERVICE!

US office: Fontana, California

UK office: Ipswich



- * Reward Points
- * Exclusive Customer Service
- * Personalized Recommendations
- * Permanent Shopping Cart
- * Order History

5 Star Rating



We would like to extend our heartfelt thanks to
all of our customers for taking time to assemble
this product and giving us valuable feedbacks.

*THANK
YOU*
☺