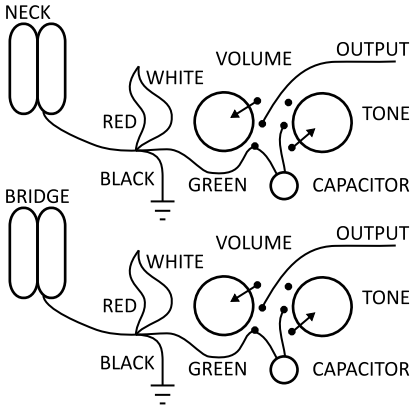
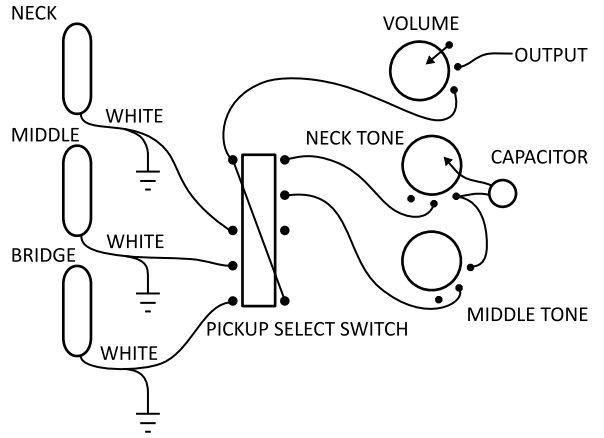


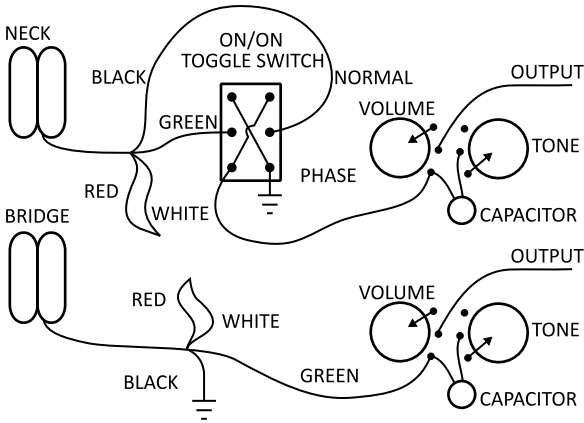
STANDARD HUMBUCKING OPERATION
4-CONDUCTOR WIRING



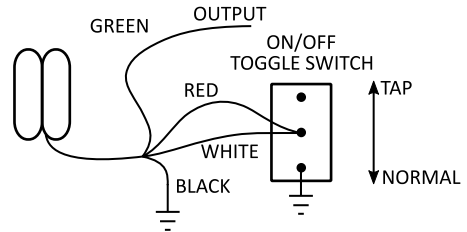
STANDARD SINGLE COIL
2-CONDUCTOR WIRING



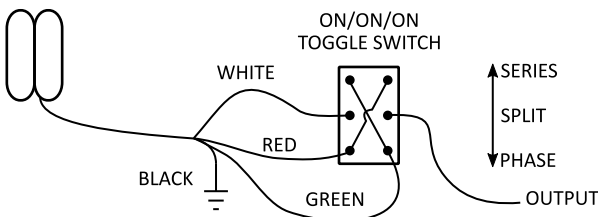
PHASING WHEN USED WITH ANOTHER PICKUP
4-CONDUCTOR WIRING



SINGLE HUMBUCKER COIL SPLIT
4-CONDUCTOR WIRING



SINGLE HUMBUCKER SERIES/SPLIT/PHASE
4-CONDUCTOR WIRING



SERIES/PARALLEL OR SERIES/SPLIT/PARALLEL
4-CONDUCTOR WIRING

