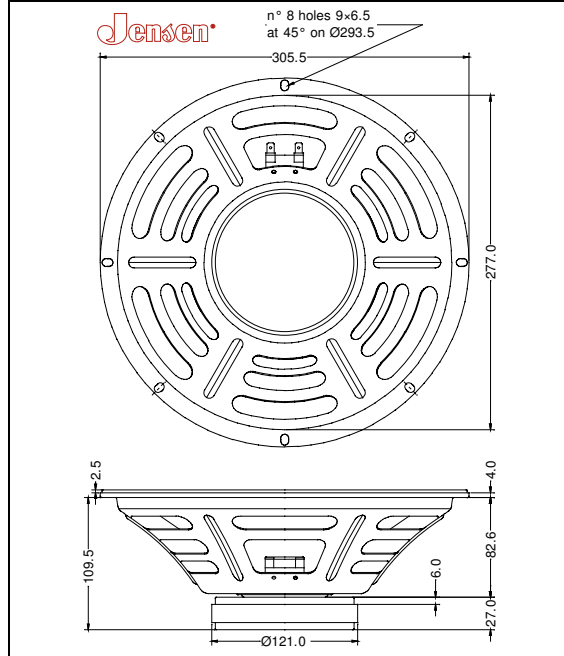


GENERAL CHARACTERISTICS			
Nominal Overall Diameter	306 mm.	12 in.	
Nominal Voice Coil Diameter	38 mm.	1.50 in.	
Magnet Weight	640 g	22.50 oz	
Overall Weight		5.30 lbs	
Flux Density		1.16 T	

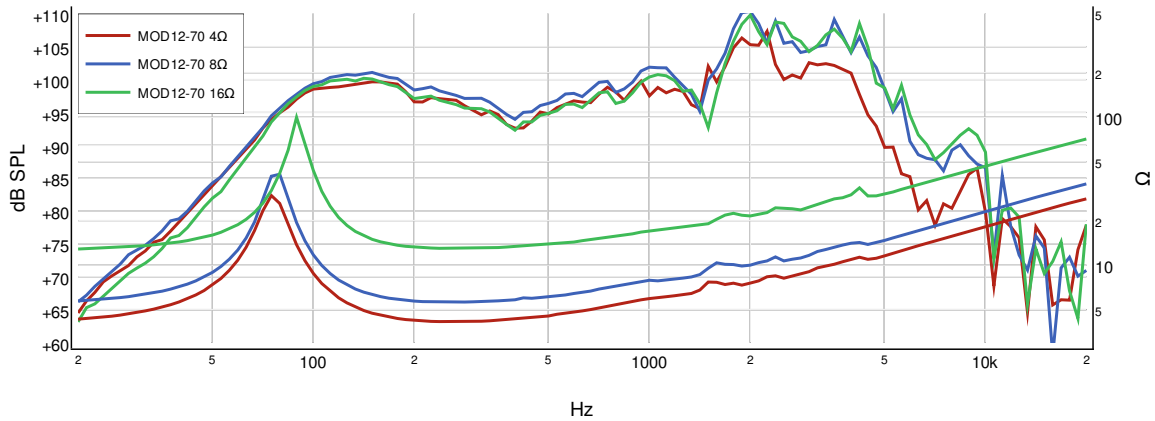
THIELE-SMALL PARAMETERS					
		4Ω	8Ω	16Ω	
Voice Coil DC Resistance	$R_E$	3.53	5.00	12.00	Ω
Resonance Frequency	$f_S$	74.0	78.0	83.0	Hz
Mechanical Q Factor	$Q_{MS}$	14.63	13.77	7.84	
Electrical Q Factor	$Q_{ES}$	0.96	1.06	1.19	
Total Q Factor	$Q_{TS}$	0.90	0.89	1.04	
Mechanical Moving Mass	$M_{MS}$	30.6	29.6	30.3	g
Mechanical Compliance	$C_{MS}$	151	141	125	μm/N
Force Factor	$B_{XL}$	7.23	8.28	12.56	Wb/m
Equivalent Acoustic Volume	$V_{AS}$	51.7	48.1	42.4	lt.
Maximum Linear Displacement	$X_{MAX}$	± 1.50	± 1.50	± 1.50	mm
Reference Efficiency	$\eta_O$	2.10	2.09	1.88	%
Diaphragm Area	$S_D$	490.9	490.9	490.9	cm <sup>2</sup>
Losses Electrical Resistance	$R_{ES}$	51.0	67.7	80.0	Ω
Voice Coil Inductance @ 1kHz	$L_E$	0.43	0.58	1.00	mH

CONSTRUCTIVE CHARACTERISTICS	
Magnet	Ferrite
Voice Coil Winding	Copper
Voice Coil Former	Epotex
Cone Material	Paper
Surround Material	Integrated Paper
Dust Dome Material	Non-treated Cloth
Basket Material	Pressed Sheet Steel

ELECTRICAL CHARACTERISTICS			
	4Ω	8Ω	16Ω
Nominal Impedance	4	8	16
Rated Power	70	70	70
Musical Power	140	140	140
Sensitivity@1W,1m	96.0	97.5	96.0



Frequency Response on IEC Baffle (DIN 45575) @ 1W, 1m - Free Air Impedance



Due to continuing product improvement, the features and the design are subject to change without notice.