

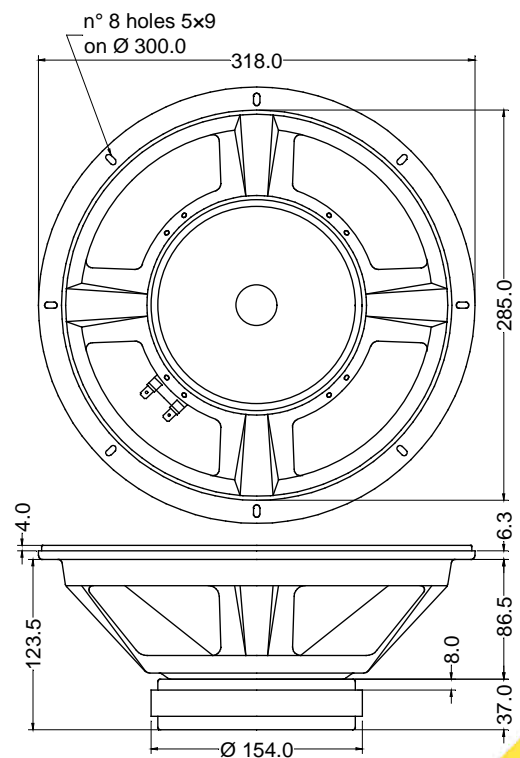
- Punch sound bass guitar loudspeaker
- 2" voice coil Kapton former
- Ferrite magnet circuit
- 97.5 dB sensitivity



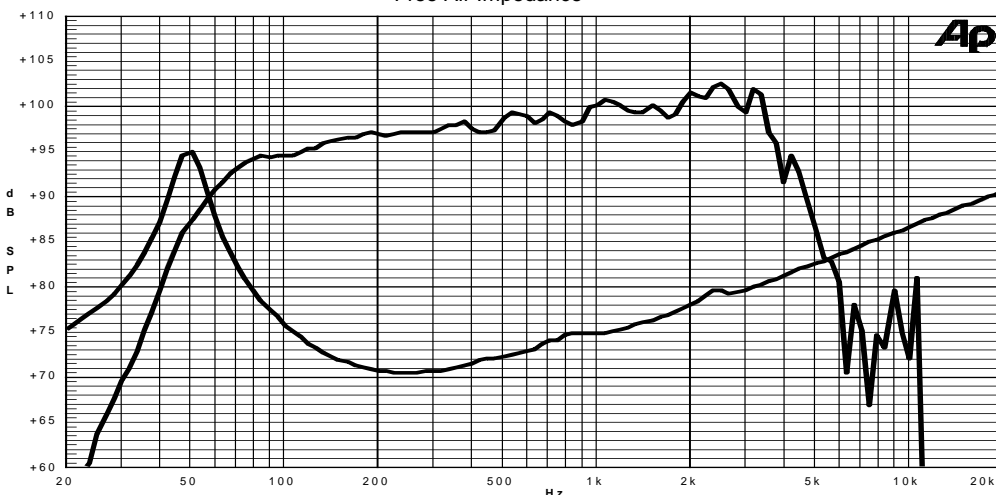
Specifications	
Nominal Diameter	318mm (12")
Nominal Impedance	8Ω
Rated Power AES ⁽¹⁾	250W
Continuous Program Power ⁽²⁾	500W
Sensitivity @ 1W/1m ⁽³⁾	97.5dB
Voice Coil Diameter	65mm (2.5")
Voice Coil Winding Depth	12mm
Magnetic Gap Depth	8mm
Flux Density	1.15T
Magnet Weight	1450g
Net Weight	4.8kg

Thiele & Small Parameters ⁽⁴⁾			
Re	6.21Ω	Fs	50.2Hz
Qms	5.14	Qes	0.34
Qts	0.32	Mms	46.6g
Cms	216μm/N	Bxl	16.40Tm
Vas	73.5l	Sd	490.9cm ²
X max ⁽⁵⁾	+/-3.1mm	X var ⁽⁶⁾	+/-5.5mm
η ₀	2.64%	Le (1kHz)	0.94mH

Constructive Characteristics	
Magnet	: Ferrite
Basket Material	: Pressed Sheet Steel
Voice Coil Winding Material	: Copper
Voice Coil Former Material	: Kapton
Cone Material	: Paper
Cone Treatment	: No
Surround Material	: Treated Cloth
Dust Dome Material	: Solid Paper



Frequency Response on 55 Litres Vented Box @ 1W, 0.5m, normalized to SPL 1m
Free Air Impedance



- Note:
- 1 : Rated Power measured with 2 hours test with pink noise signal, 6dB crest factor, loudspeaker mounted on enclosure
 - 2: Power on Continuous Program is defined as 3 dB greater than the Rated Power
 - 3: Calculated by Thiele & Small parameters
 - 4: Thiele & Small parameters measured with laser system without preconditioning test
 - 5: Measured with respect to a THD of 10% using a parameter-based method
 - 6: Value corresponding to a decay of the Force Factor, or Compliance, or both, equal to the 50% of the small signal value.
 - 7: Drawing dimensions: mm