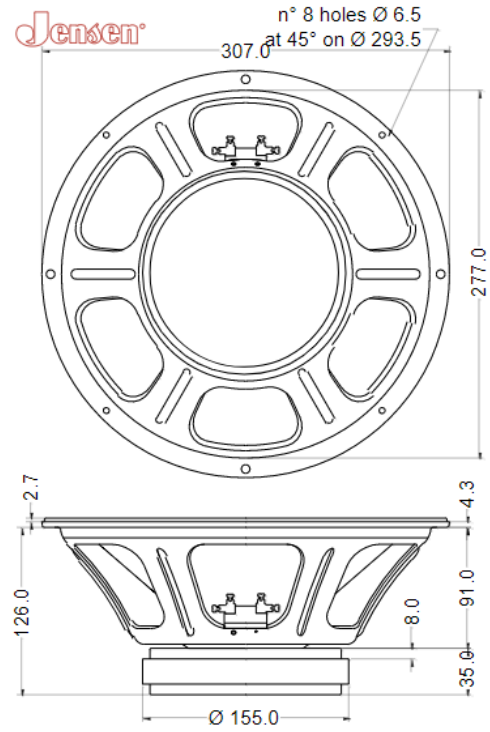


General Characteristics		
Nominal Overall Diameter	307 mm	12 in
Nominal Voice Coil Diameter	50 mm	2 in
Magnet Weight	1450 g	51 oz
Overall Weight	4.3 kg	9.48 lbs
Flux Density		1.15 T
Voice Coil Winding Depth	10 mm	0.39 in
Magnetic Gap Depth	8 mm	0.31 in

Thiele-Small Parameters		8Ω	16Ω	
Voice Coil DC Resistance	R_E	6.7	12	Ω
Resonance Frequency	f_S	79	85	Hz
Mechanical Q Factor	Q_{MS}	12.07	12.07	
Total Q Factor	Q_{TS}	0.47	0.59	
Mechanical Moving Mass	M_{MS}	32.2	28.5	g
Mechanical Compliance	C_{MS}	126	123	μm/N
Force Factor	BxL	14.73	17.19	Wb/m
Equivalent Acoustic Volume	V_{AS}	43.1	42.1	lt.
Diaphragm Area	S_D	490.9	490.9	cm ²
Voice Coil Inductance @ 1kHz	L_E	0.84	1.21	mH
Electrical Q Factor	Q_{ES}	0.49	0.62	

Constructive Characteristics	
Magnet	Ferrite
Voice Coil Winding	Copper
Voice Coil Former	Nomex
Cone Material	Paper
Surround Material	Integrated Paper
Dust Dome Material	Non-treated Cloth
Basket Material	Pressed Sheet Steel
Surround Treatment	Yes

Electrical Characteristics	8Ω	16Ω
Nominal Impedance	16	Ω
Rated Power	100	W
Musical Power	200	W
Sensitivity@1W,1m	99.5	dB



Frequency Response on IEC Baffle (DIN45575) @ 1W, 1m - Free Air Impedance

