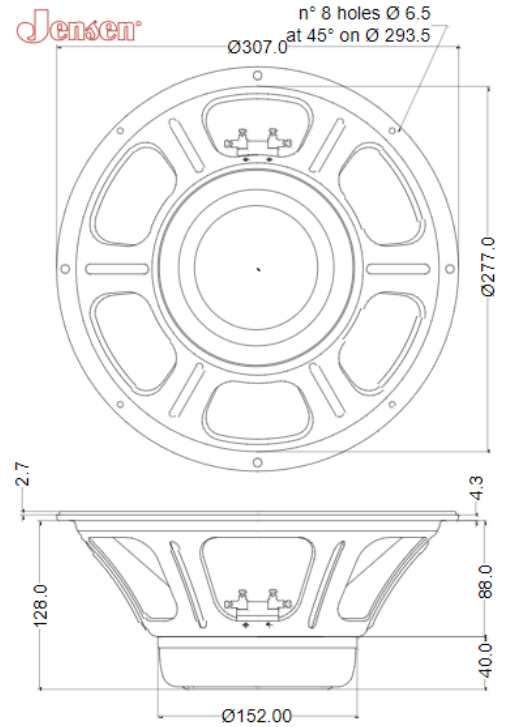


General Characteristics		
Nominal Overall Diameter	307 mm	12 in
Nominal Voice Coil Diameter	50 mm	2 in
Magnet Weight	206 g	7 oz
Overall Weight	2.4 kg	5.29 lbs
Flux Density		1.36 T
Voice Coil Winding Depth	10 mm	0.39 in
Magnetic Gap Depth	8 mm	0.31 in

Thiele-Small Parameters		4Ω	8Ω	
Voice Coil DC Resistance	R_E	3.1	5.1	Ω
Resonance Frequency	f_S	62.5	61	Hz
Mechanical Q Factor	Q_{MS}	3.3	2.95	
Total Q Factor	Q_{TS}	0.37	0.39	
Mechanical Moving Mass	M_{MS}	34.8	30.9	g
Mechanical Compliance	C_{MS}	186	221	μm/N
Force Factor	BxL	10.12	11.59	Wb/m
Equivalent Acoustic Volume	V_{AS}	63.8	75.3	lt.
Diaphragm Area	S_D	490.9	490.9	cm ²
Voice Coil Inductance @ 1kHz	L_E	0.22	0.32	mH
Electrical Q Factor	Q_{ES}	0.42	0.45	

Constructive Characteristics	
Magnet	Neodymium
Voice Coil Winding	Copper
Voice Coil Former	Aluminum
Cone Material	Paper
Surround Material	Integrated Paper
Dust Dome Material	Non-treated Cloth
Basket Material	Pressed Sheet Steel
Surround Treatment	Yes

Electrical Characteristics	4Ω	8Ω	
Nominal Impedance	4	8	Ω
Rated Power	150	150	W
Sensitivity@1W,1m	98.9	99.8	dB



Frequency Response on IEC Baffle (DIN45575) @ 1W, 1m - Free Air Impedance

