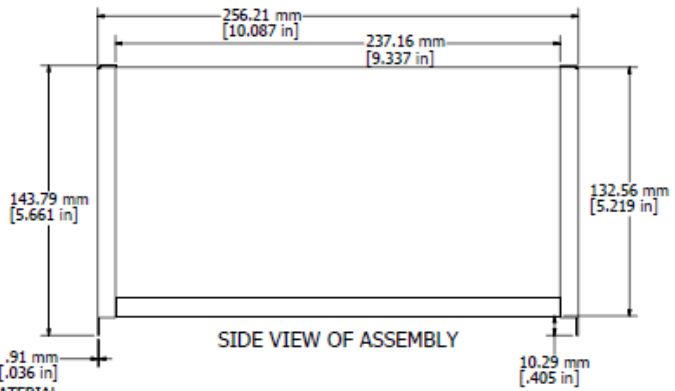


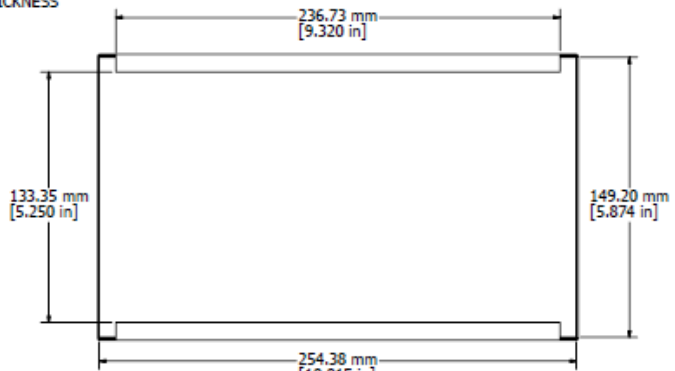


TOP VIEW OF ASSEMBLY

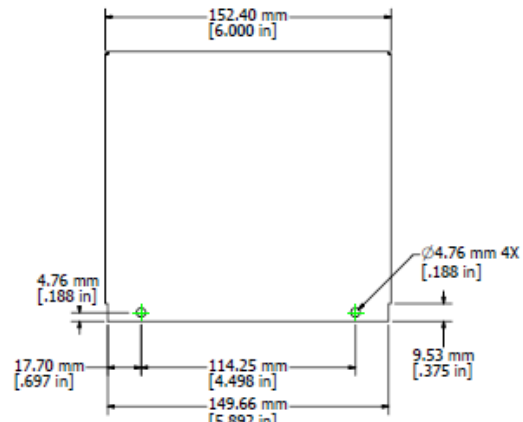


SIDE VIEW OF ASSEMBLY

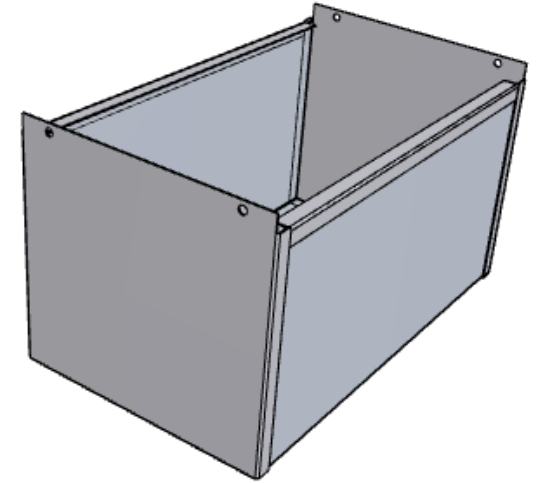
TYP. MATERIAL THICKNESS



BOTTOM VIEW OF ASSEMBLY



END VIEW OF ASSEMBLY



1451-16
Material: 20ga. Welded Steel, Gray color
Cover: Perforated Steel
Screws: 4 Supplied (#6-32 X 1/4" self tap)
For use with 1441 and 1444 series chassis.