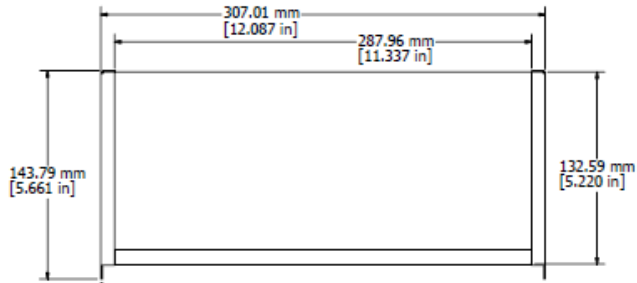


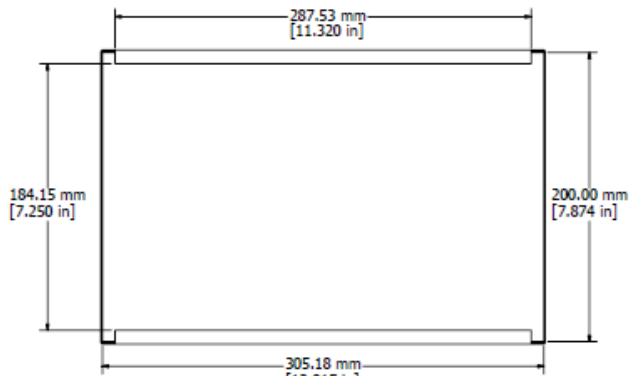


TOP VIEW OF ASSEMBLY

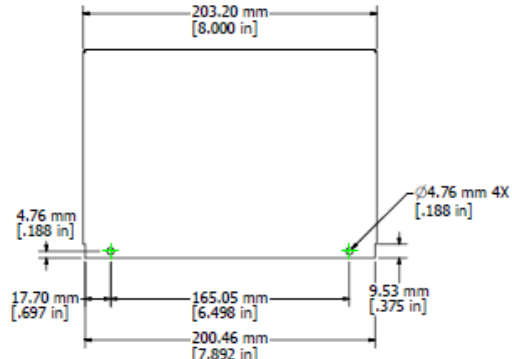


SIDE VIEW OF ASSEMBLY

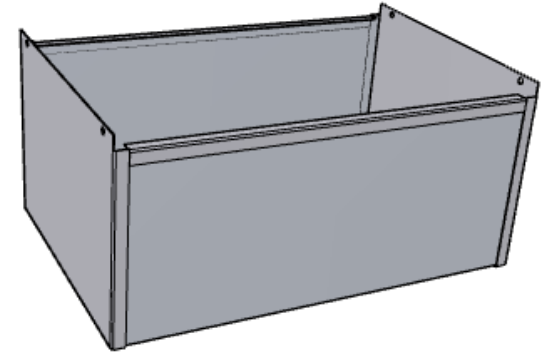
.91 mm
[.036 in]
TYP. MATERIAL
THICKNESS



BOTTOM VIEW OF ASSEMBLY



END VIEW OF ASSEMBLY



1451-22

Material: 20ga. Welded Steel, Gray color

Cover: Perforated Steel

Screws: 4 Supplied (#6-32 X 1/4" self tap)

For use with 1441 and 1444 series chassis.