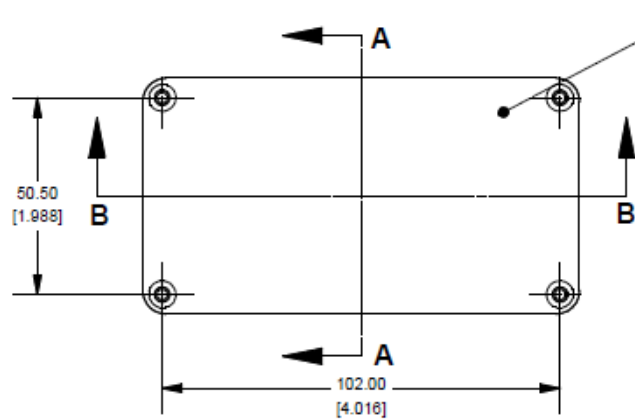
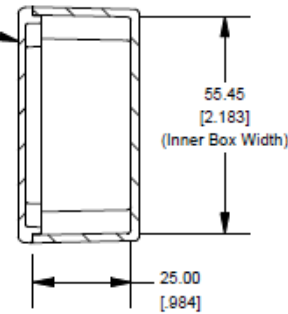


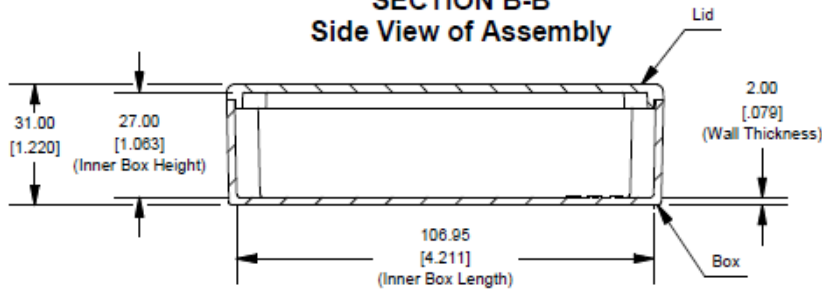
Top View of Assembly



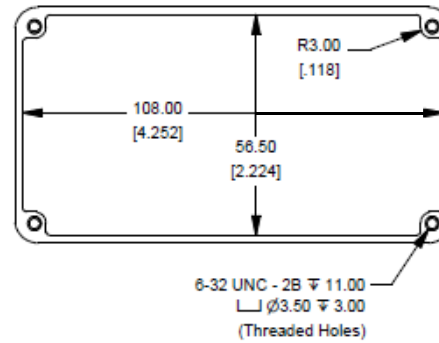
**SECTION A-A
End View of Assembly**



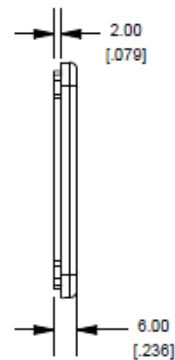
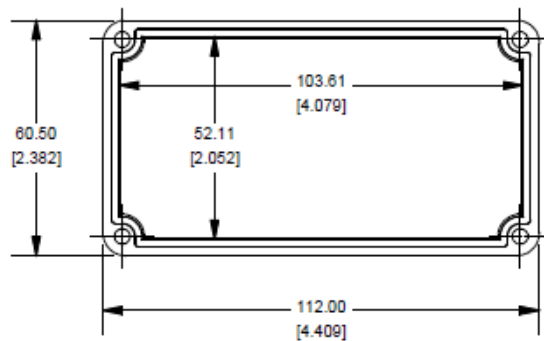
**SECTION B-B
Side View of Assembly**



Top View Looking Inside Box



Lid



NOTE

Purchased assembly includes box, lid and 4 cover screws.
Box and lid are made from Diecast Aluminum Alloy (alloy type 380).
Silicone Gasket Loctite #5950

PART NUMBERS

1690B Enlosure	
Unfinished	1590B
Grey Textured Polyester Powder Paint - RAL 7038	1590B GY
Black Textured Polyester Powder Paint - RAL 9011	1590B BK
1690B Liquid Resistant Enlosure (Silicon Factory Installed Gasket)	
Unfinished	1590W B
Black Textured Powder Paint	1590W BK
ACCESSORIES	
Recommended Torque: 75 ozf.in / 55 cN.m	
Black Textured Cover Screws (Pkg 100) [8-32 x 1/2" SS Type 304]	1590W MG100BK
Unfinished Cover Screws (Pkg 100) [8-32 x 1/2" SS Type 304]	1590W MG100
Standard Cover Screws	
Unfinished Cover Screws (Pkg 100) [8-32 x 1/2" Nickel Plated Screws]	1590M G100
Black Textured Cover Screws (Pkg 60) [8-32 x 1/2" Nickel Plated Screws]	1590M G50BK