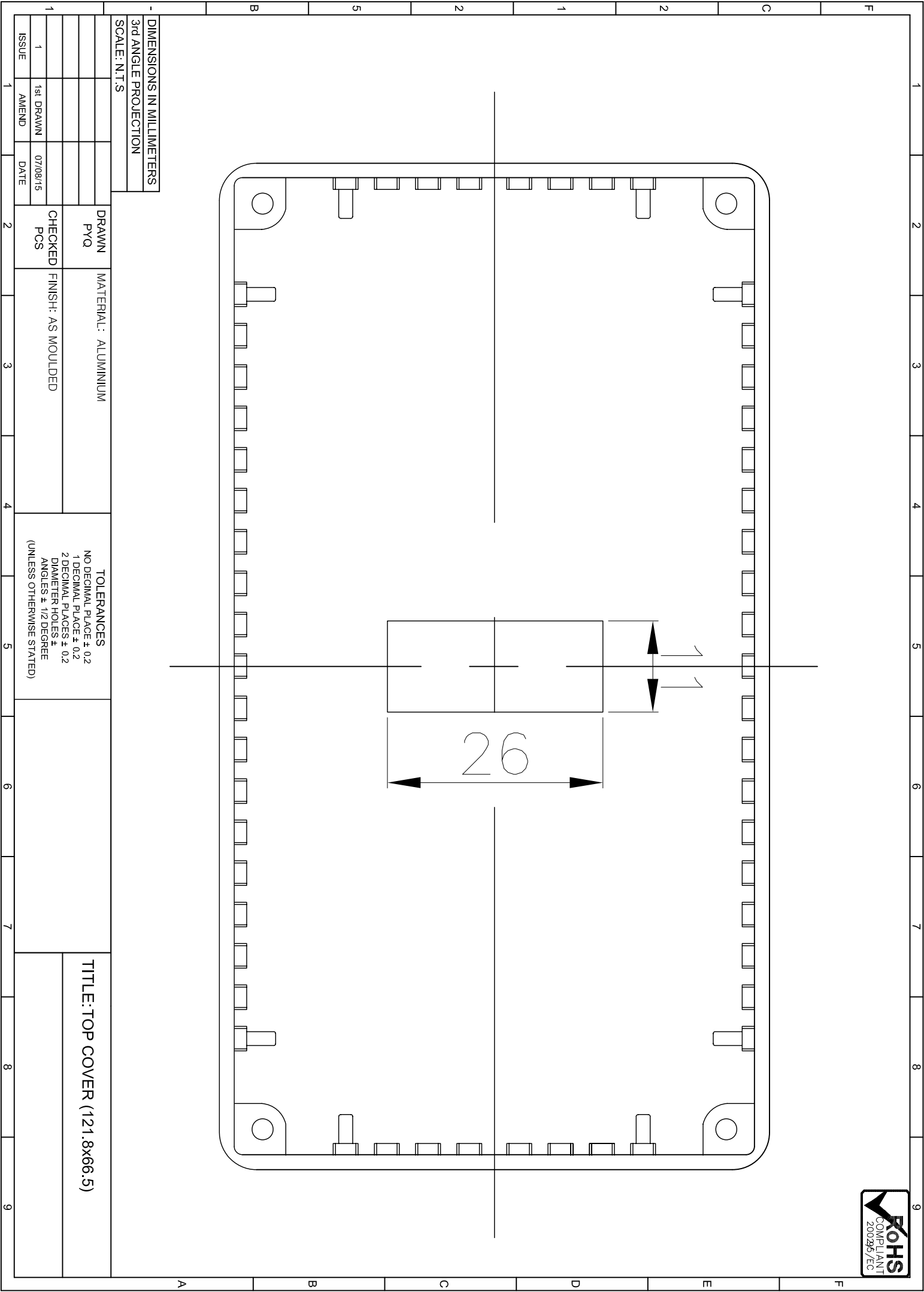
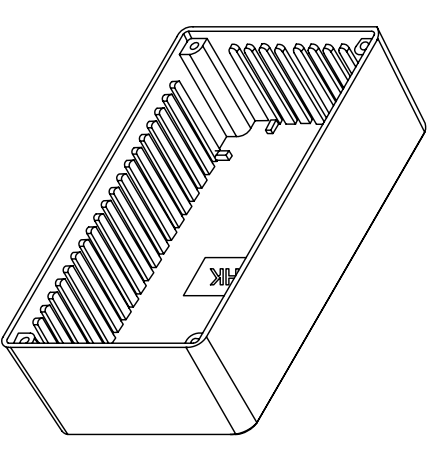
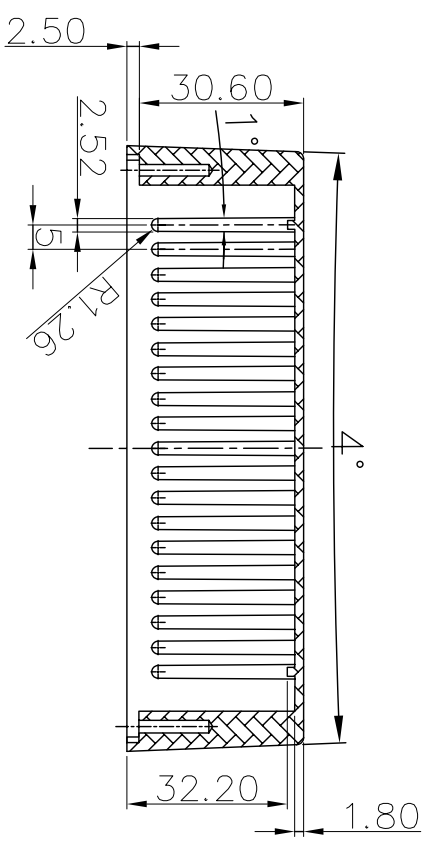
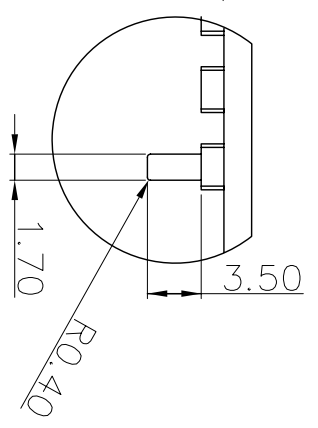
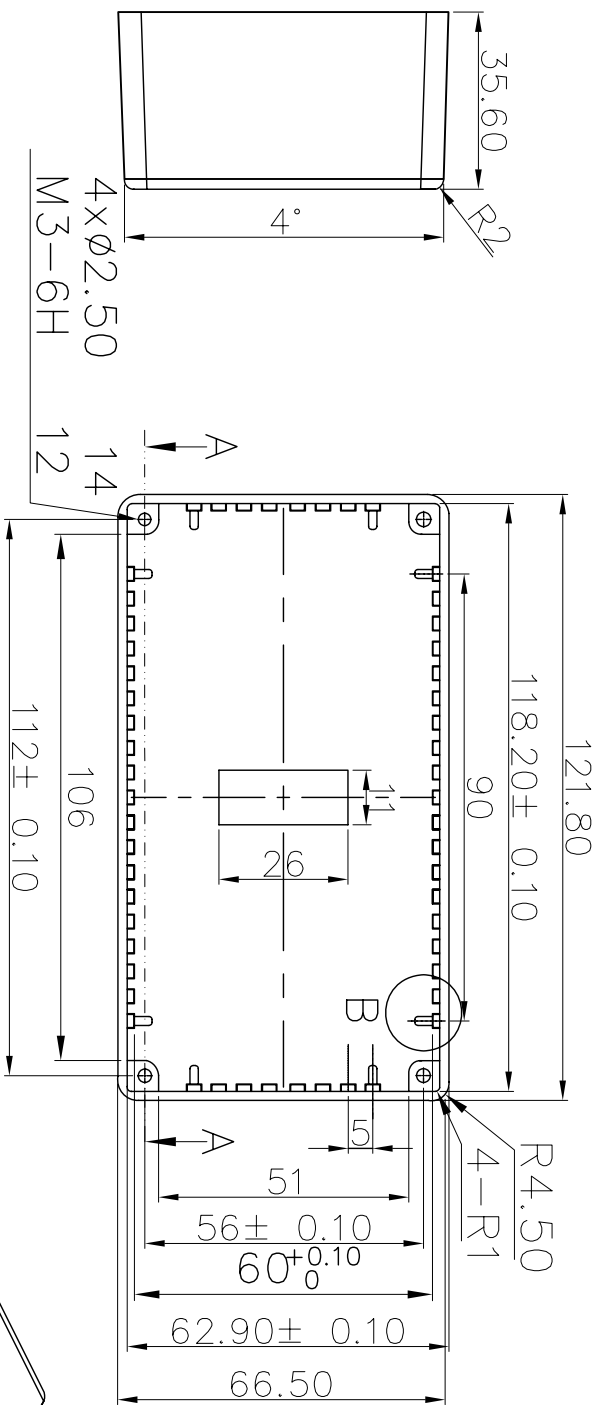


- DIMENSIONS IN MILLIMETERS
 3rd ANGLE PROJECTION
 SCALE: N.T.S

DRAWN PYQ		MATERIAL: ALUMINIUM		TOLERANCES NO DECIMAL PLACE ± 0.2 1 DECIMAL PLACE ± 0.2 2 DECIMAL PLACES ± 0.2 DIAMETER HOLES ± ANGLES ± 1/2 DEGREE (UNLESS OTHERWISE STATED)		TITLE: TOP COVER (121.8x66.5)		
CHECKED PCS		FINISH: AS MOULDED						
1st DRAWN 1		DATE 07/08/15						
ISSUE AMEND		DATE						





SECTION A-A

DIMENSIONS IN MILLIMETERS
3rd ANGLE PROJECTION
SCALE: N.T.S.

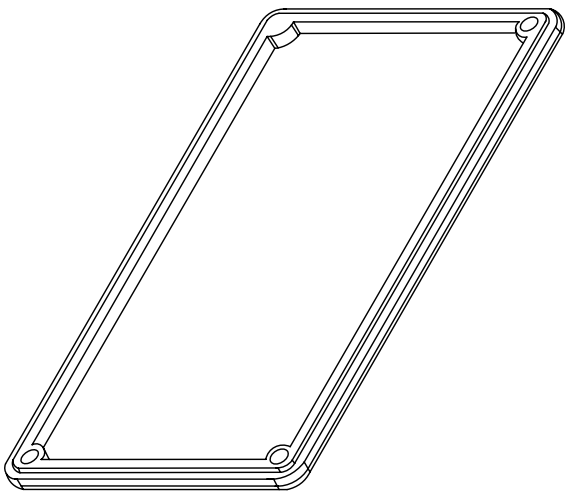
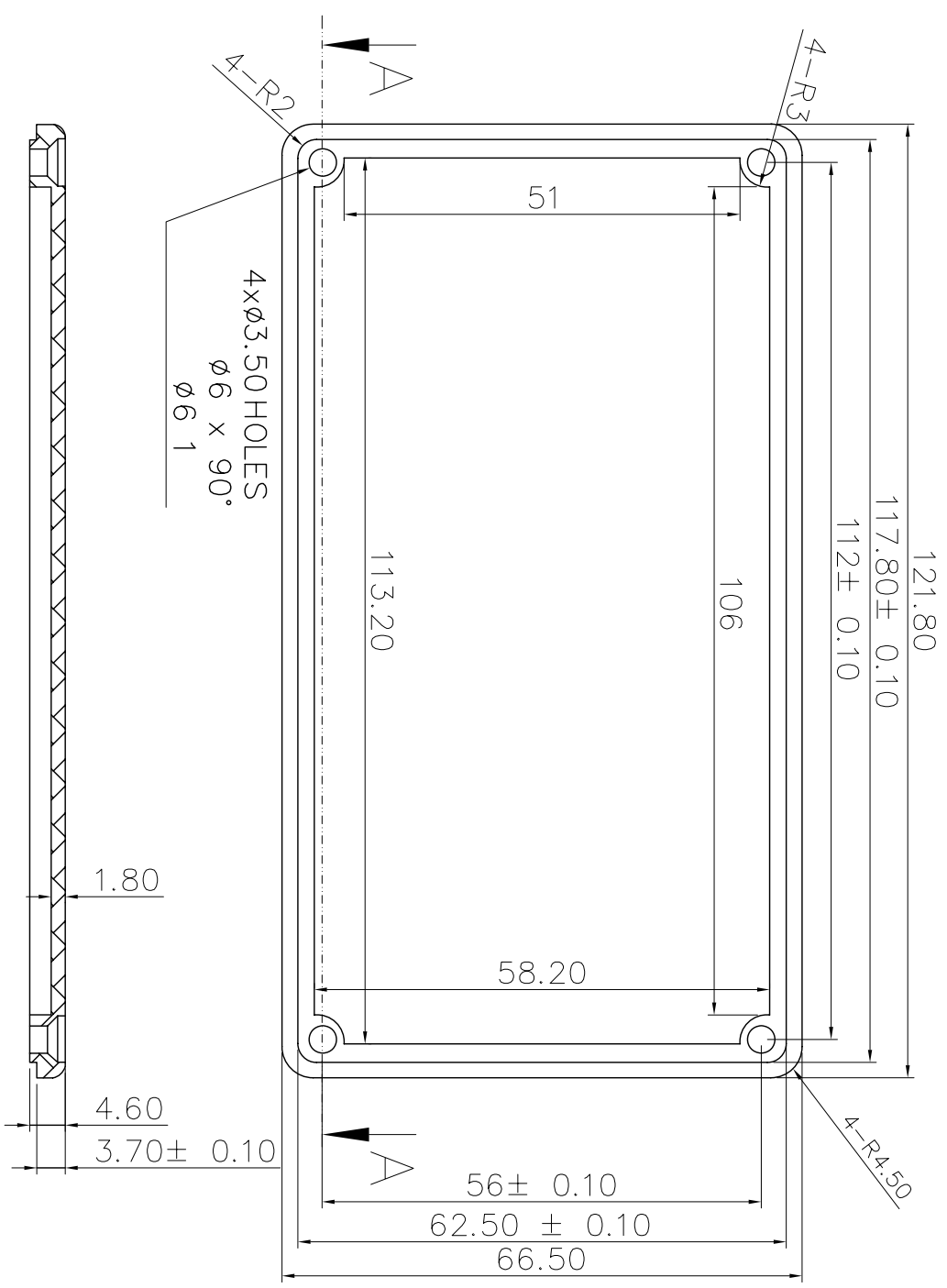
DRAWN: PYQ MATERIAL: ALUMINIUM

TOLERANCES
NO DECIMAL PLACE ± 0.2
1 DECIMAL PLACE ± 0.2
2 DECIMAL PLACES ± 0.2
DIAMETER HOLES ±
ANGLES ± 1/2 DEGREE
(UNLESS OTHERWISE STATED)

TITLE: ALUMINIUM BOX WITH RIPS
(121.8X66.5)

ISSUE	AMEND	DATE	CHECKED	FINISH:
1	1st DRAWN	07/08/15	PCS	AS MOULDED
2				

1	2	3	4	5	6	7	8	9
---	---	---	---	---	---	---	---	---



SECTION A-A

- DIMENSIONS IN MILLIMETERS
 3rd ANGLE PROJECTION
 SCALE: N.T.S.

DRAWN PYQ		MATERIAL: ALUMINIUM		TOLERANCES NO DECIMAL PLACE ± 0.2 1 DECIMAL PLACE ± 0.2 2 DECIMAL PLACES ± 0.2 DIAMETER HOLES ± ANGLES ± 1/2 DEGREE (UNLESS OTHERWISE STATED)		TITLE: BOTTOM PLATE (121.8X66.5)		
CHECKED PCS		FINISH: AS MOULDED						
ISSUE	AMEND	DATE						
1	1st DRAWN	07/08/15						