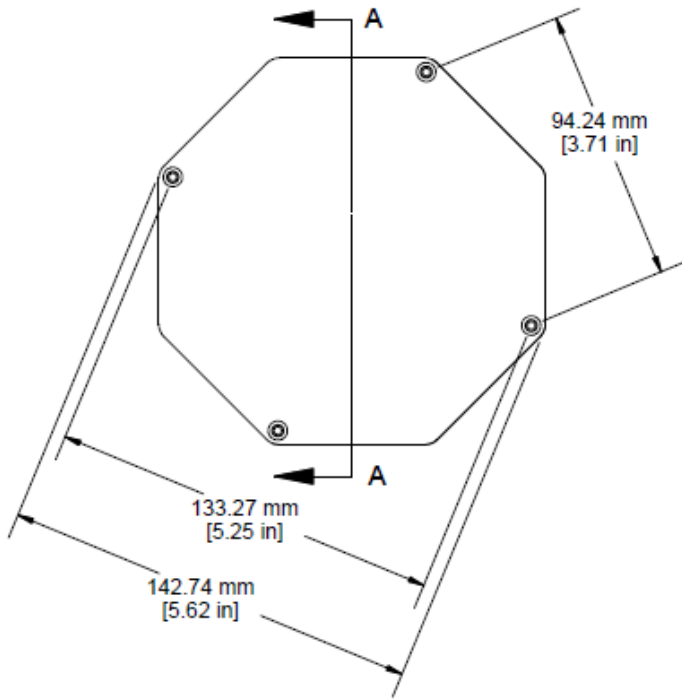
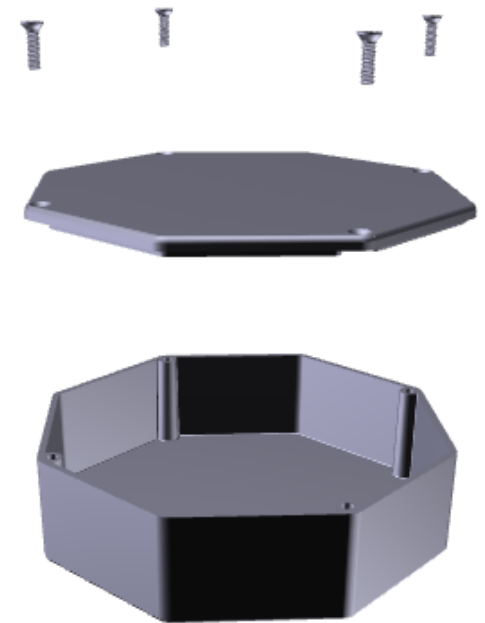
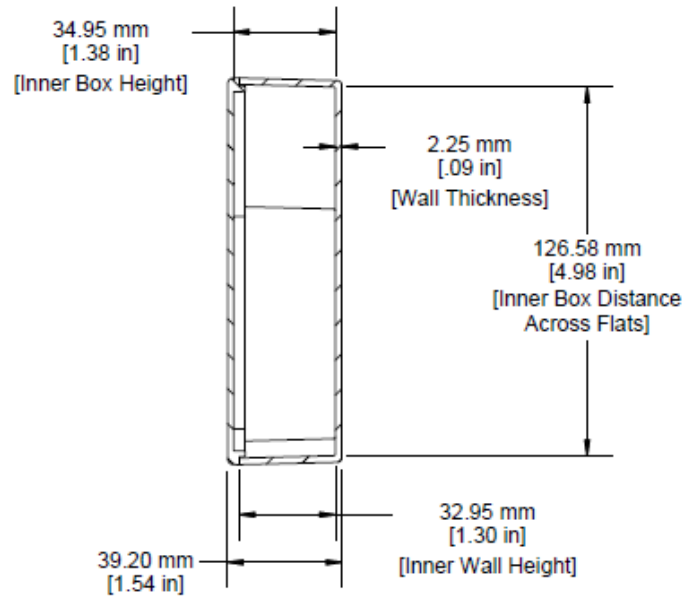


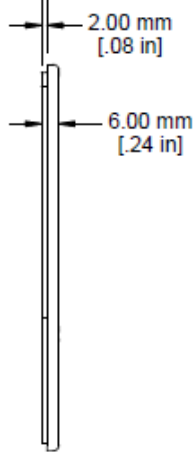
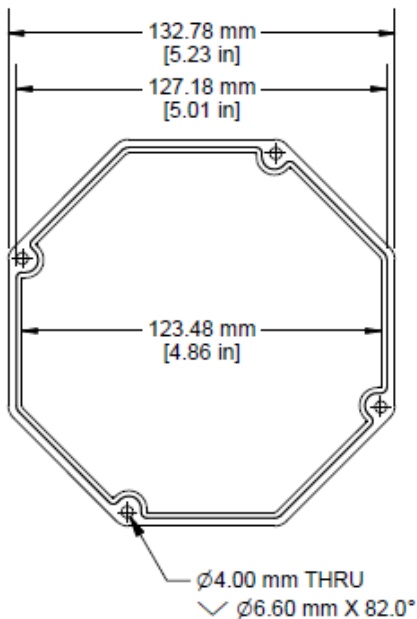
Top View of Assembly



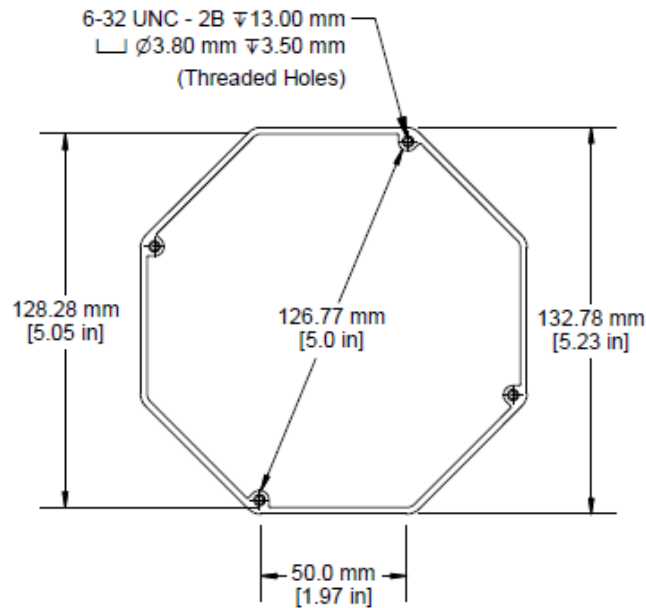
**SECTION A-A
Side View of Assembly**



Lid



Top View Looking Inside Box



NOTE

Purchased assembly includes box, lid and 4 cover screws.
Box and lid are made from Diecast Aluminum Alloy (alloy type ADC-12).

PART NUMBERS

1590STPC Enclosure	
Unfinished	1590STPC
Black Textured Powder Paint	1590STPCBK
Light Gray Textured Powder Paint	1590STPCLG
ACCESSORIES	
Recommended Torque: 75 ozf.in / 55 cN.m	
Unfinished Cover Screws (Pkg 100)	1590MS100
1/2" x 1/2" Nickel Plated Screws	
Black Textured Cover Screws (Pkg 50)	
1/2" x 1/2" SS Type 304 Screws	1590MSS0BK