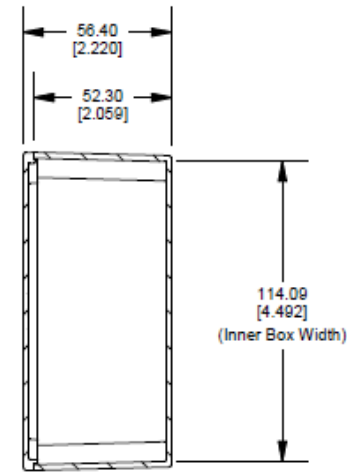
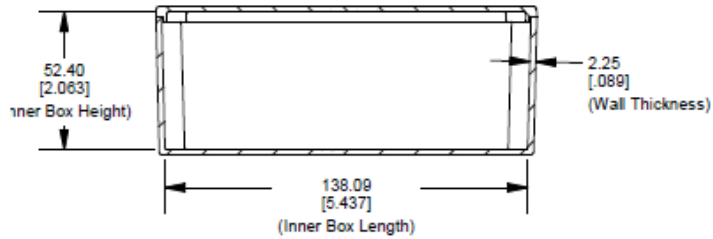
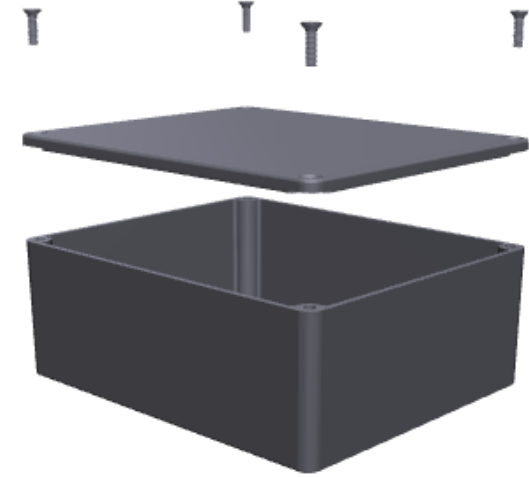


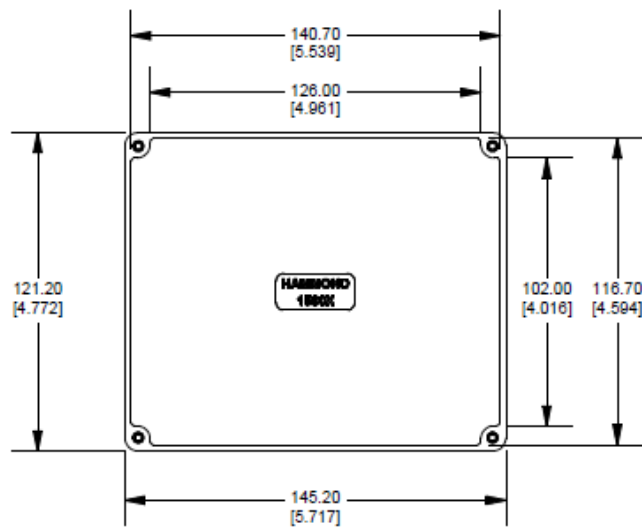
ASSEMBLY



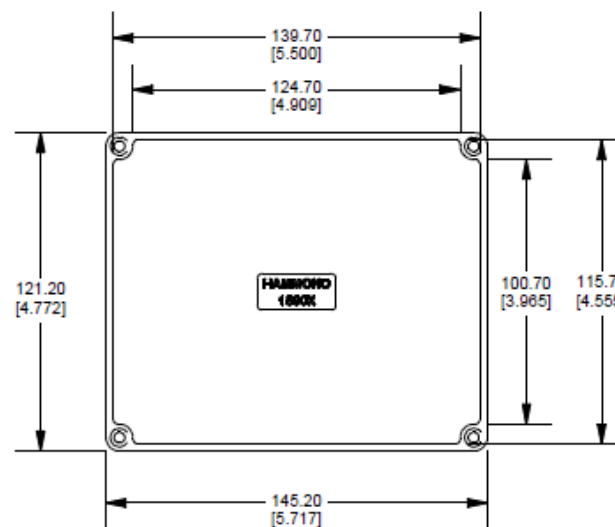
SECTION A-A



SECTION B-B



BOX - INSIDE



LID - INSIDE

NOTE

Purchased assembly includes box, lid and 4 cover screws.
Box and lid are made from Diecast Aluminum Alloy.
Silicone Gasket Loctite #5950

PART NUMBERS

1690X Enclosure	
Unfinished	1590X
Grey Textured Polyester Powder Paint - RAL 7038	1590XGY
Black Textured Polyester Powder Paint - RAL 9011	1590XBK
1690X Liquid Resistant Enclosure (Silicon Factory Installed Gasket)	
Unfinished	1590WX
Black Textured Powder Paint	1590WXBK
ACCESSORIES	
Recommended Torque: 75 ozf.in / 55 cN.m	
Black Textured Cover Screws (Pkg 100) [8-32 x 1/2" 88 Type 304]	1590WMS100BK
Unfinished Cover Screws (Pkg 100) [8-32 x 1/2" 88 Type 304]	1590WMS100
Standard Cover Screws	
Unfinished Cover Screws (Pkg 100) [8-32 x 1/2" Nickel Plated Screw]	1590MS100
Black Textured Cover Screws (Pkg 50) [8-32 x 1/2" Nickel Plated Screw]	1590MS50BK