

SMALL-SIZED ROCKER SWITCHES

This switch is ideal for applications with back panel size constraints. It fits in a standard rectangular cutout and is designed to provide ease of insertion along with superior panel retention qualities. A high profile rocker and butt-action contacts provide the user with a crisp positive-type feel.



Typical Applications:

- ◆ Handheld Appliance
- ◆ Audio-Visual
- ◆ Power Supplies

Dielectric Strength

UL/CSA:
1000V-live to dead metal parts

Electrical Life

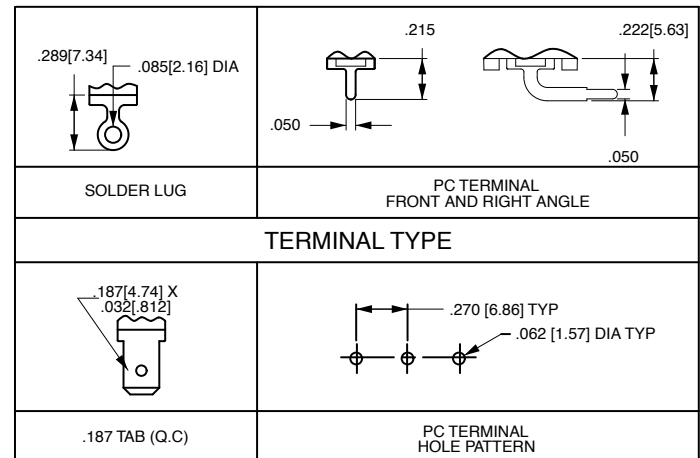
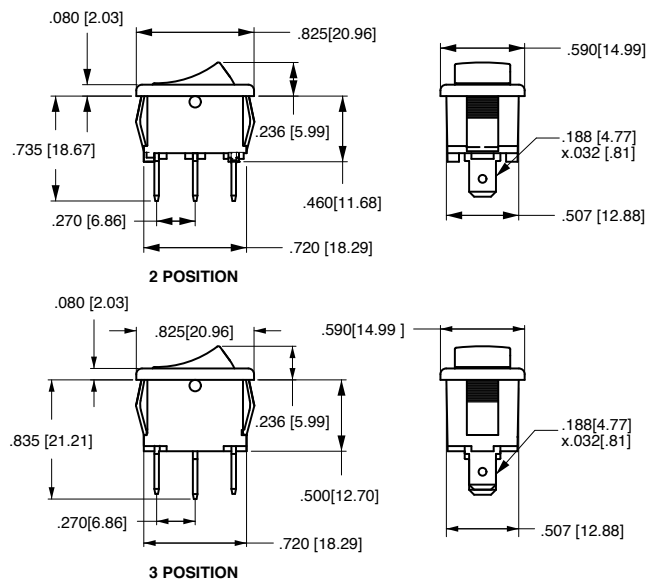
100,000 cycles- maintained
50,000 cycles- momentary
50,000 cycles- T-rating

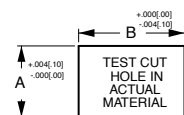
Mechanical Life

100,000 cycles

Operating Temperature

32°F to 185°F (0°C to 85°C)



RECOMMENDED PANEL OPENING	PANEL THICKNESS	A	B	
	.030[.76]-.050[1.27]	.508[12.90]	.756[19.20]	
	.050[1.27]-.078[1.98]	.508[12.90]	.764[19.40]	
	.078[1.98]-.125[3.17]	.508[12.90]	.780[19.81]	

*Manufacturer reserves the right to change product specification without prior notice.