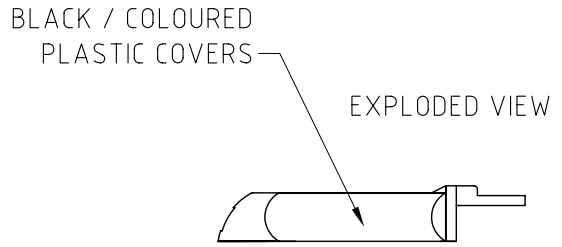
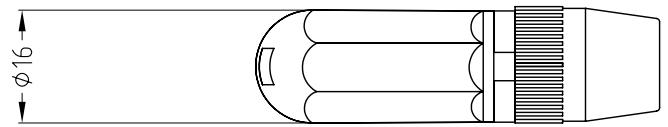
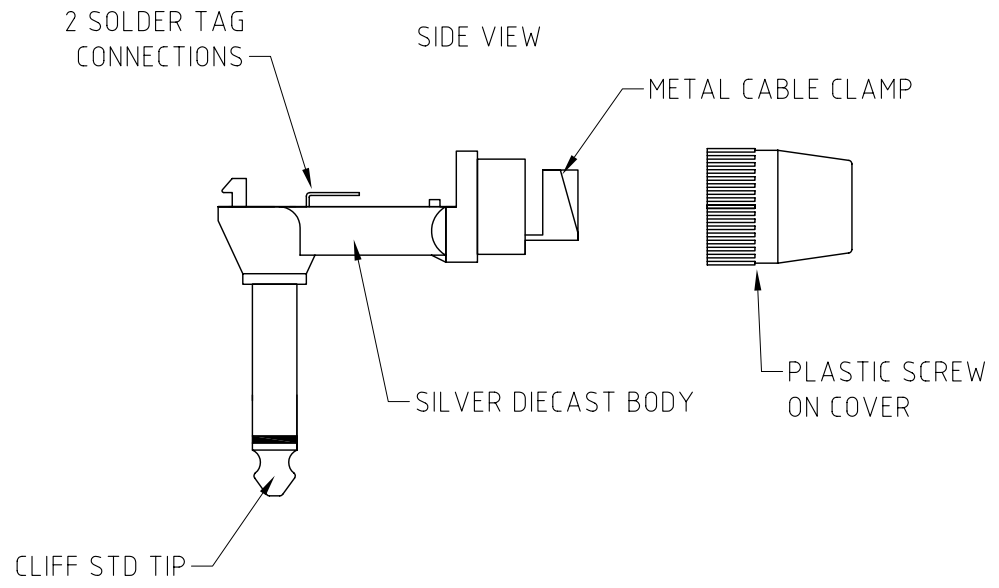
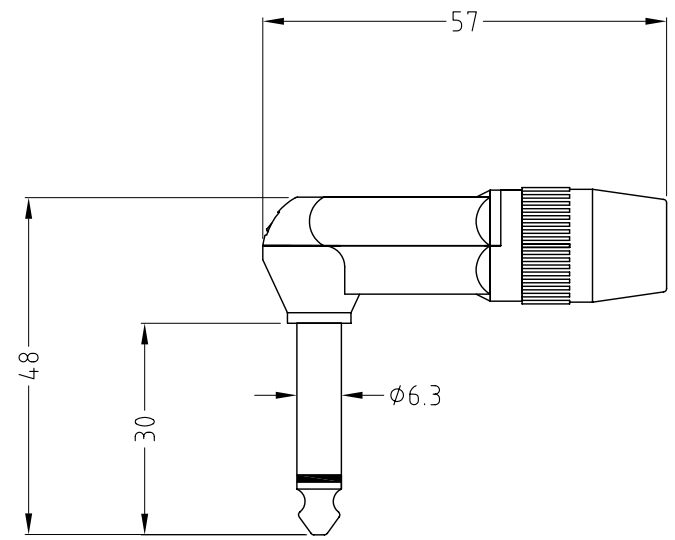


ISS.	AMEND	DATE
1	1st Drawn	25/03/03
2	LOGO DEL+RoHS ADD	29/06/09



ASSEMBLED VIEWS



PACKED IN 100 PCS MULTIPLES

**RoHS COMPLIANT**

TOLERANCE

NO DEC. PLACE ±

1 DEC. PLACE ±

2 DEC. PLACE ±

HOLE DIA. ±

ANGLES ±

UNLESS OTHERWISE STATED

WHERE USED F.R.

SCALE N.T.S.

DIMENSIONS IN MILLIMETERS UNLESS OTHER WISE STATED. WORK TO DIMENSIONS. DO NOT SCALE DRAWING. 3rd ANGLE PROJECTION. REMOVE ALL BURRS. IF IN DOUBT ASK.

<p><b>Cliff Electronic Components Ltd.</b></p> <p>76 Holmethorpe Ave., Holmethorpe Ind. Estate, Redhill, Surrey, RH1 2PF, England Tel: 01737-771375 Fax: 01737-766012</p>	MATERIAL	COMPOSITE	TITLE	PROFESSIONAL 90° MONO PLUG SEP1C (SCREENED)
	FINISH	CLEAN		DRWG. No.
	DRAWN	MST	APPD.	DPJ
				FORM: A4DRWGH