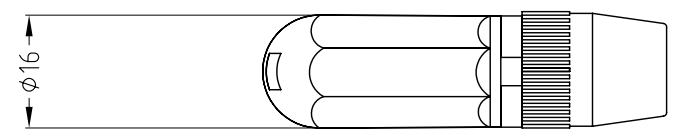
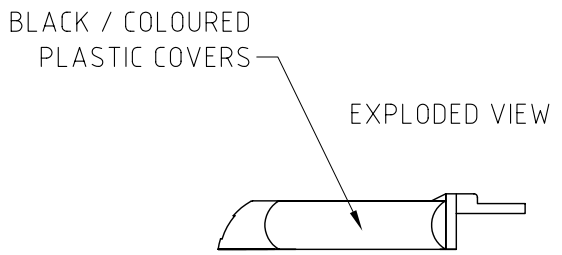
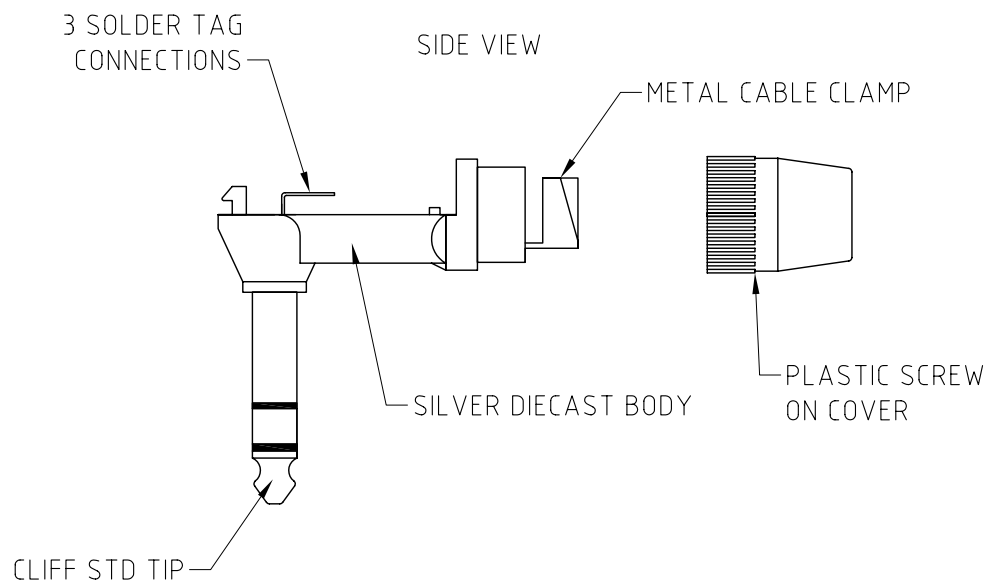
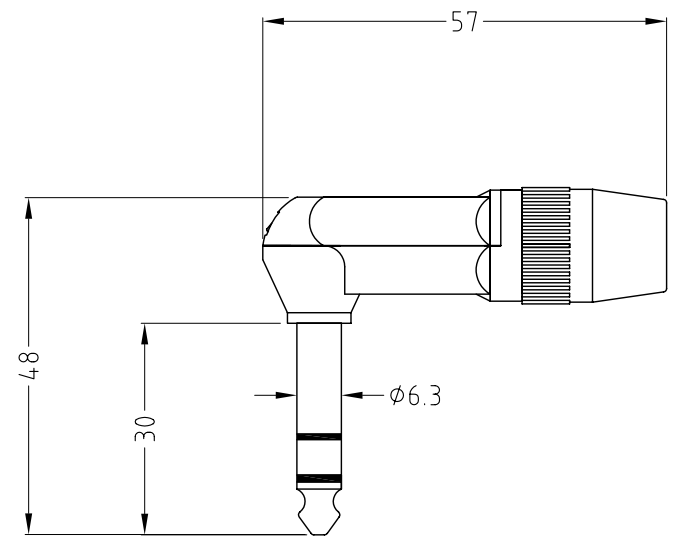


ISS.	AMEND	DATE
1	1st Drawn	25/03/03
2	LOGO DEL+RoHS ADD	29/06/09



ASSEMBLED VIEWS



PACKED IN 100 PCS MULTIPLES

RoHS
COMPLIANT

TOLERANCE

NO DEC. PLACE \pm

1 DEC. PLACE \pm

2 DEC. PLACE \pm

HOLE DIA. \pm

ANGLES \pm

UNLESS OTHERWISE STATED

WHERE USED F.R.

SCALE N.T.S.

DIMENSIONS IN MILLIMETERS UNLESS OTHER WISE STATED. WORK TO DIMENSIONS. DO NOT SCALE DRAWING. 3rd ANGLE PROJECTION. REMOVE ALL BURRS. IF IN DOUBT ASK.

<p>Cliff Electronic Components Ltd. 76 Holmethorpe Ave., Holmethorpe Ind. Estate, Redhill, Surrey, RH1 2PF, England Tel: 01737-771375 Fax: 01737-766012</p>	MATERIAL	COMPOSITE	<p>TITLE PROFESSIONAL 90° STEREO PLUG SEP3C (SCREENED)</p>
	FINISH	CLEAN	
DRAWN	MST	APPD.	DPJ
DRWG. No. FM 1098			FORM: A4DRWGH