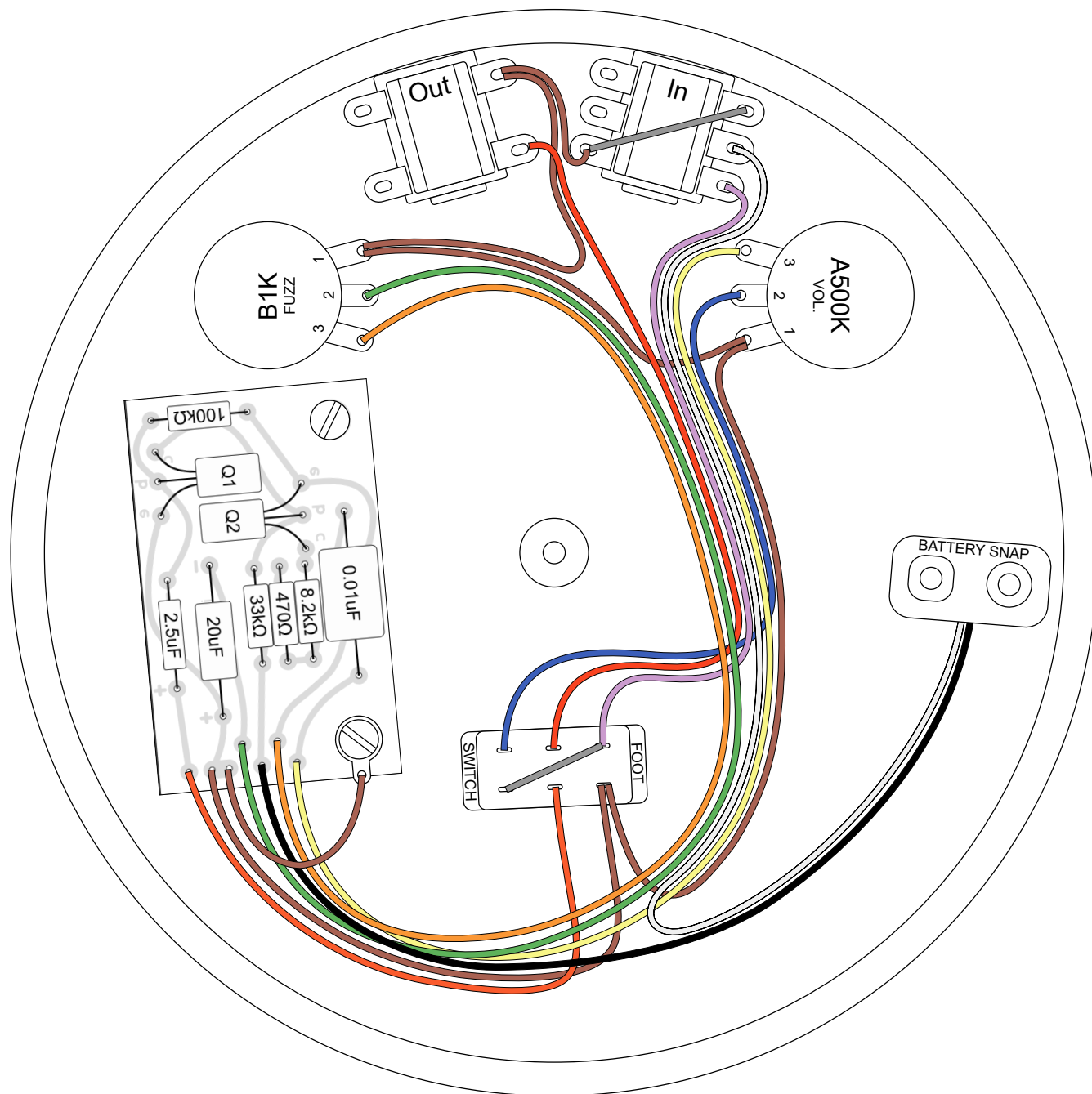


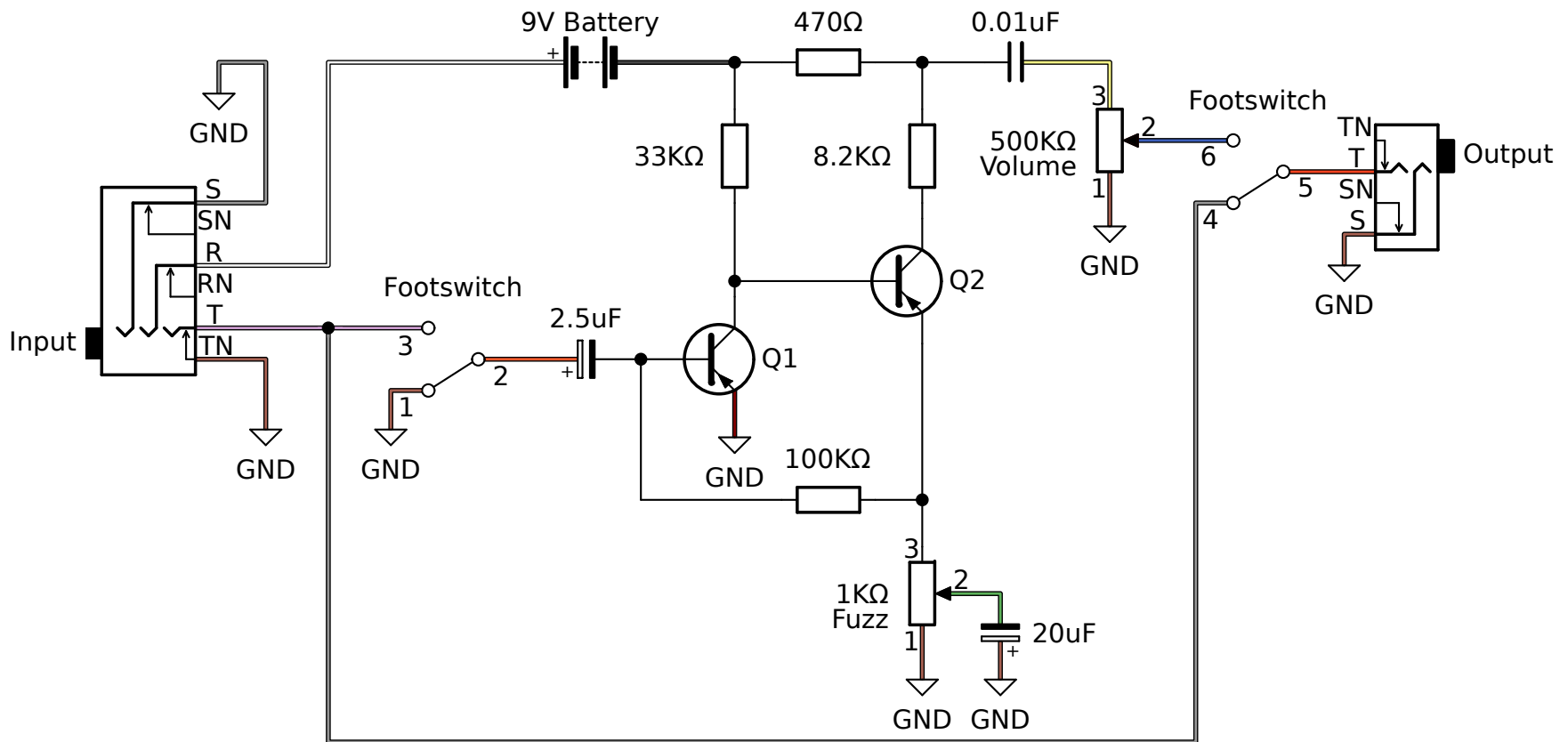
# ISS. 1 FUZZ WIRING DIAGRAM



Note: The battery wiring has been updated to use a TRS jack but otherwise all wiring matches vintage units.

P-PC-FUZZ-ISS1 boards are available at [www.amplifiedparts.com](http://www.amplifiedparts.com).

# ISS. 1 FUZZ SCHEMATIC



P-PC-FUZZ-ISS1 boards are available at [www.amplifiedparts.com](http://www.amplifiedparts.com).