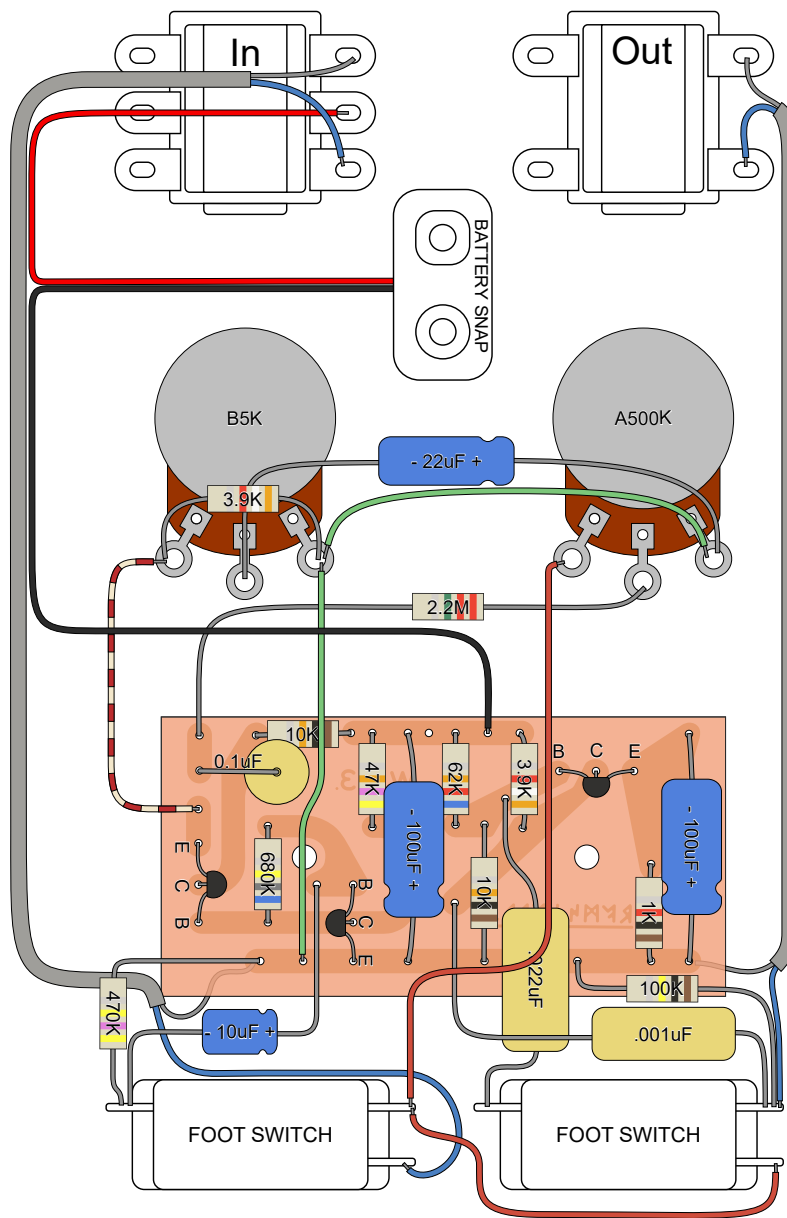


# SHATTERBOX

## WIRING DIAGRAM



All transistors are PNP. Originals were 2N4061.