



High Insulated 8 Pin Vacuum Tube Socket

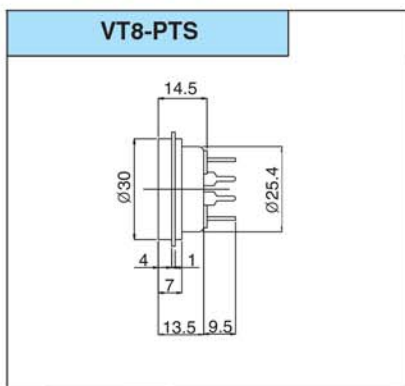
Features

- With panel saddle mounting
- Easy mount with the saddle of **extruded screw** hole
- Phosphorus bronze terminal pin with solder plating
- Glassfiber filled PPS Insulating material

Applications

- Applicable to all types of electric and electronic equipments using vacuum tube and relay

Dimensions



Part Number: P-ST8-209MIP-PC

- REVERBERATION UNIT
- ROTARY SWITCH
- ENCODER SWITCH
- VACUUM TUBE SOCKET & SHIELD**
- POWER ENTRY
- JACK & XLR SOCKET

