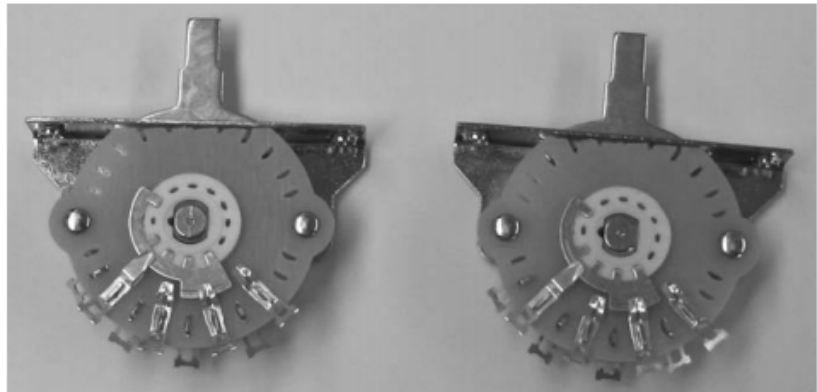


Rotary Switches



Specifications

Electrical Characteristics

Current and Voltage Ratings

Resistive load. Silver plated brass, make and break;
 1.5 amp at 28 VDC, .230 amp at 115 VAC RMS
 .22 amp at 100 VDC, 1.75 amp at 24 VAC RMS

Current Carrying Capacity

Silver plated brass: 9 amps

Dielectric Strength

1,500 VAC between critical parts and ground

Contact Resistance

Silver plated parts: average initial 3 milliohms

Mechanical Characteristics

Index

The frame uses indexing bumps of the Hill & Valley type to ensure positive indexing at each of the positions available. A single roller type bearing of Type 303 stainless steel to ensure positive engagement with the indexing valleys of the frame.

Contact Staking

Solder-lug clips are secured to the stator using Electroswitch's patented "T" slugs

Insulation/Temperature/Levers

Insulation

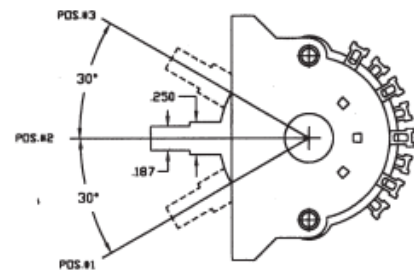
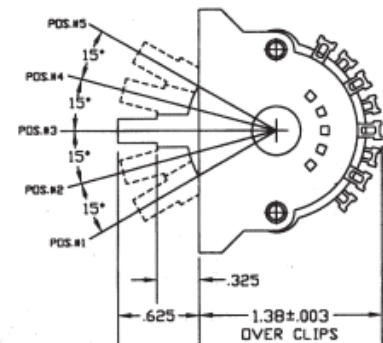
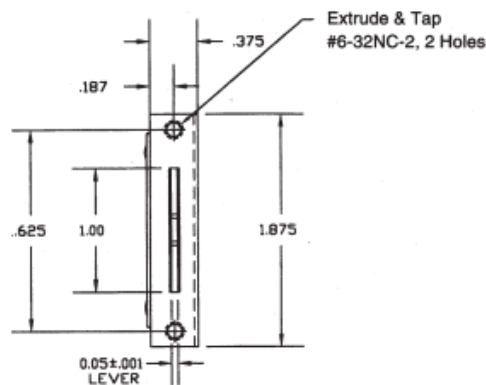
Glass epoxy

Temperature

Standard commercial -25°C to +85°C

Levers

Uses standard push button switch knobs that fit a .187" x .050" dimension



Positions	Poles	Detent Angle	Lever Length
3	2	30°	.625"