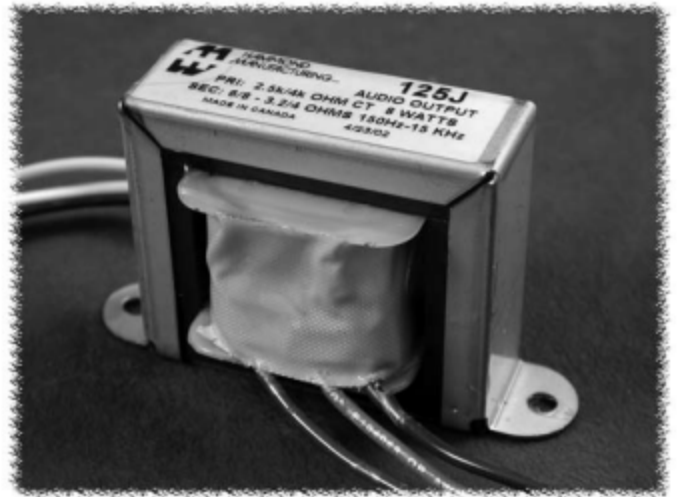
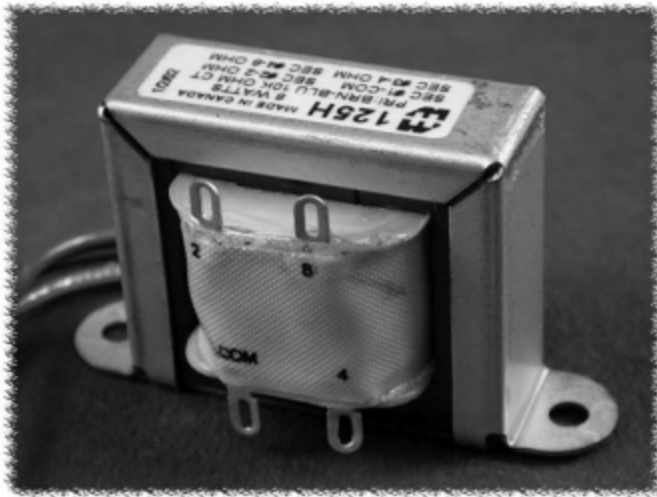


Push-Pull Output - General Purpose (125H-J Series)

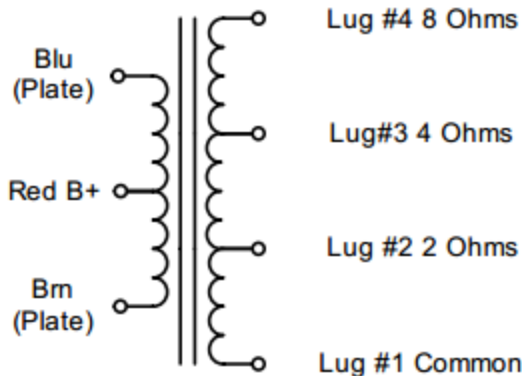


MULTIPLE IMPEDANCE - 8 WATT "CLASSIC" TUBE OUTPUT TRANSFORMERS

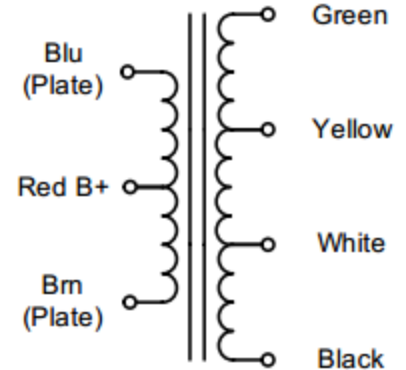
- Designed for general purpose or replacement use in push-pull tube output circuits.
- Frequency response: 150 Hz. - 15 KHz (+/- 1db max.- ref. 1 KHz).
- 125H - open style with minimum 5" long primary leads, secondary solder lugs for convenient secondary connections.
- 125J - open style with minimum 10" long primary & secondary leads.

Part No.	Audio Watts	Primary Impedance (Ohms)	Secondary Impedance (Ohms)	Primary Inductance Henrys	Dimensions (Inches)					Wt. Lbs.
					A	B	C	D	G Mtg. Hole	
125H	8	10K	2, 4 or 8	5.6	2.81	1.40	1.63	2.38	0.187	0.55
125J	8	2.5K or 4K	6/8 or 3.2/4	5.6	3.25	1.50	1.94	2.81	0.187	1

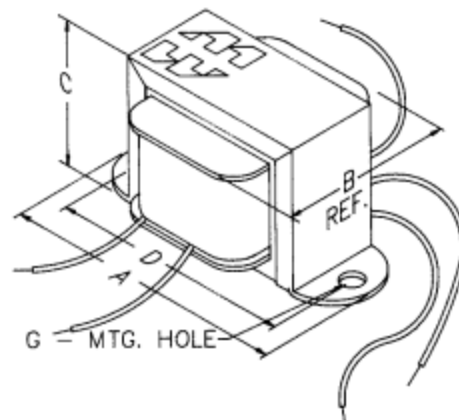
Schematic & Hook Up Data



PRI SEC
125H



PRI SEC
125J



Pri. Impedance Plate to Plate Brown to Blue (Ohms)	Sec. Impedance (Ohms)	Use Sec. Lead Connections
4,000 C.T.	6/8	WHT - GRN
4,000 C.T.	3.2/4	WHT - YEL
2,500 C.T.	6/8	BLK - GRN
2,500 C.T.	3.2/4	BLK - YEL