

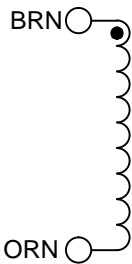
PRIMARY

SECONDARY

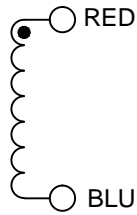
PRIMARY #1
117V 50/60Hz



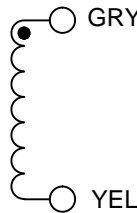
PRIMARY #2
117V 50/60Hz



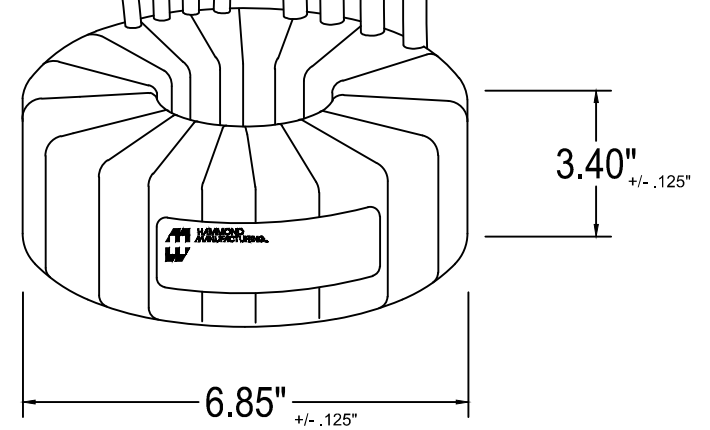
SECONDARY #1
12V @ 41.70Amps



SECONDARY #2
12V @ 41.70Amps



PRIMARY LEADS ARE #16 TEW
SECONDARY LEADS ARE #10 TEW
ALL LEADS OUT 8"-9" AND STRIPPED 0.5" MIN.
WEIGHT: 16.29Lbs +/- 4%



HAMMOND MANUFACTURING
1182W12
50/60Hz VA:1000
PRI: 2x 117V BLK-WHT, BRN-ORN
SEC: 2x 12V @ 41.70A RED-BLU, GRY-YEL
1A1000A000C012012
MADE IN CANADA DATE PB
RoHS Compliant
CE, RoHS, and other compliance logos.

SUPPLIED WITH: TWO 0.093" T X 4.75" OD RUBBER WASHERS.
ONE 16GA X 4.30" OD STEEL MOUNTING WASHER.
ONE 3/8-16 BOLT 3.50" LONG WITH A LOCK WASHER AND 3/8-16 HEX NUT.

ELECTRICAL DATA:		
TESTS	CONDITIONS	ACCEPTANCE CRITERIA
Sec. N.L.V	@ 117V, 60Hz BLK & BRN to WHT & ORN	
OR	@ 234V, 50Hz BLK to ORN (Connect BRN & WHT)	
	RED - BLU	12.61 V ±2%
	GRY - YEL	12.61 V ±2%
POLARITY	BLK, BRN, RED and GRY.	ADDITIVE
DCR	BLK - WHT	0.350 Ohms ±20%
IN OHMS	BRN - ORN	0.350 Ohms ±20%
	RED - BLU	0.005 Ohms ±20%
	GRY - YEL	0.005 Ohms ±20%
HI POT	PRIMARY - SECONDARY	4000V, 60Hz, 1 SEC
	PRIMARY - PRIMARY	600V, 60Hz, 1 SEC
	SECONDARY - SECONDARY	600V, 60Hz, 1 SEC

PROPERTY AND COPYRIGHT NOTICE
THIS DRAWING AND THE INFORMATION IT CONVEYS ARE THE PROPERTY OF HAMMOND MANUFACTURING. IT MAY NOT BE REPRODUCED, TRANSMITTED OR USED IN ANY MANNER WHATSOEVER WITHOUT THE WRITTEN PERMISSION OF HAMMOND MANUFACTURING.

REV	NOTES	BY	DATE	HAMMOND MANUFACTURING ELECTRONIC DIVISION 52 RANKIN PLACE, WATERLOO, ONTARIO, N2J 3Z5 PHONE: 519.886.6181 FAX: 519.886.9540
				TOROID POWER TRANSFORMER
DRAWN G. GRAY		DATE 23/02/2015		NUMBER 1182W12
APPROVED		DATE		