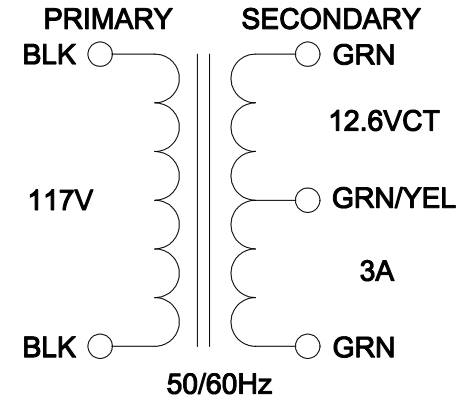
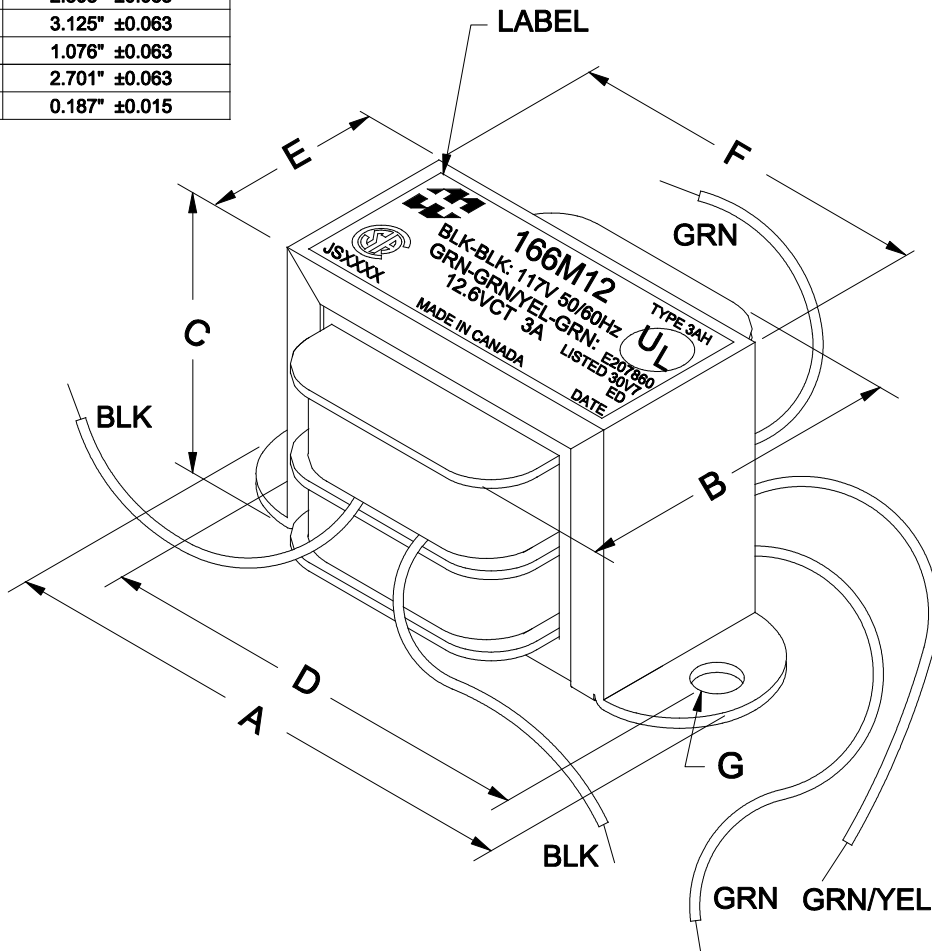


DIMENSIONS:	
A	3.688" ±0.063
B	2.090" ±0.125
C	2.308" ±0.063
D	3.125" ±0.063
E	1.076" ±0.063
F	2.701" ±0.063
G	0.187" ±0.015



NOTE: ALL LEADS 6" OUT MIN. STRIPPED 0.5"

ELECTRICAL DATA:		
TESTS	CONDITIONS	ACCEPTANCE CRITERIA
Iex	@ 117V, 60Hz, BLK - BLK	79mA Max.
Sec. N.L.V	@ 117V, 60Hz, BLK - BLK	
	GRN - GRN =	14.19V ±2%
	GRN - GRN/YEL = GRN/YEL - GRN =	7.096V ±2%
DCR	@ 20°C, BLK - BLK =	13.81 Ω ±20%
	@ 20°C, GRN - GRN =	0.205 Ω ±20%
HIPOT	PRIMARY - SECONDARY	2000V, 60Hz, 1 SEC

REV.#	REVISION	DATE	HAMMOND ELECTRONIC DIVISION		
0	RELEASED.	C.I. 10/23/18	52 RANKIN PLACE, WATERLOO, ONTARIO, N2J 3Z5		
			PH # (519) 886-6181 FAX # (519) 886-9540		
			DWG. BY: C. ILIE	CHK'D BY:	TITLE: POWER TRANSFORMER
			DATE: 10/23/18	APP'D. BY:	DWG. NO. 166M12
				DIMENSIONS: IN(X) MM( )	