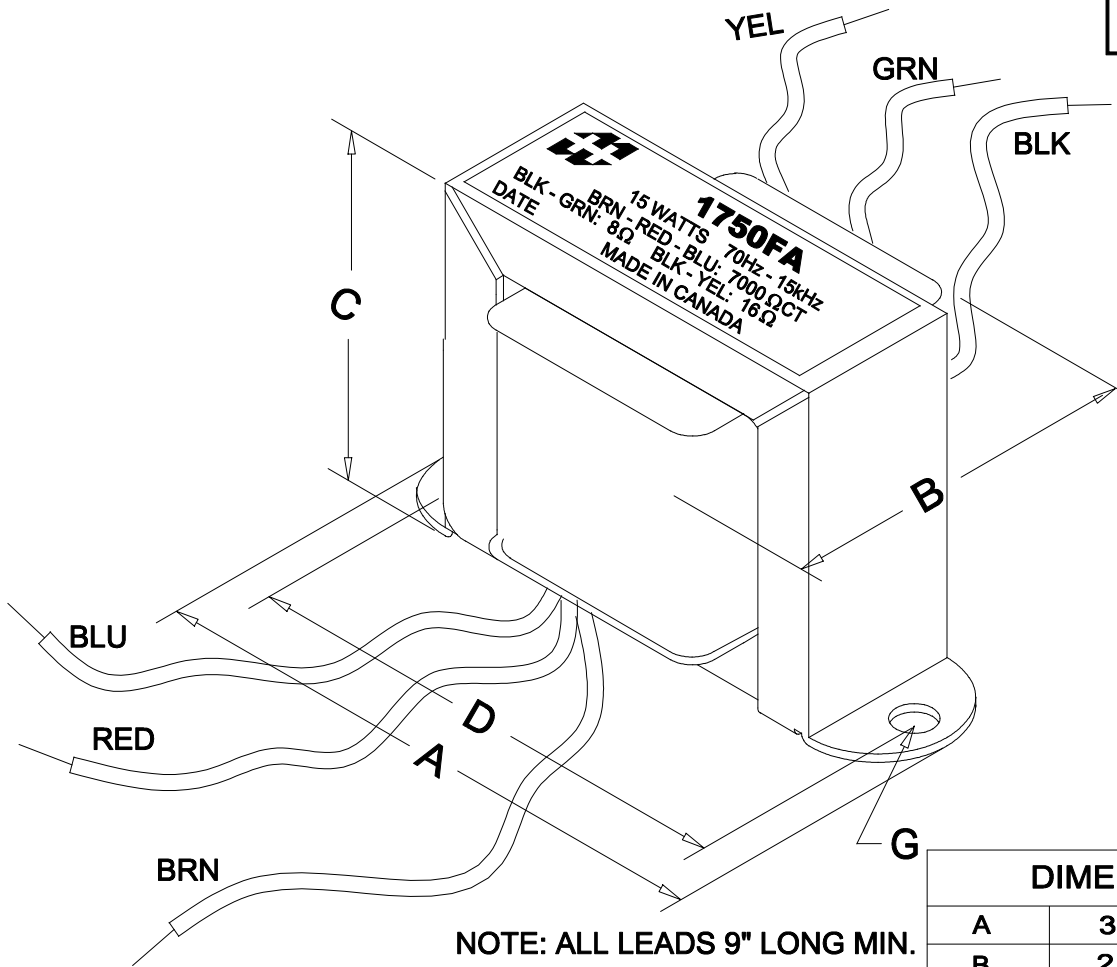


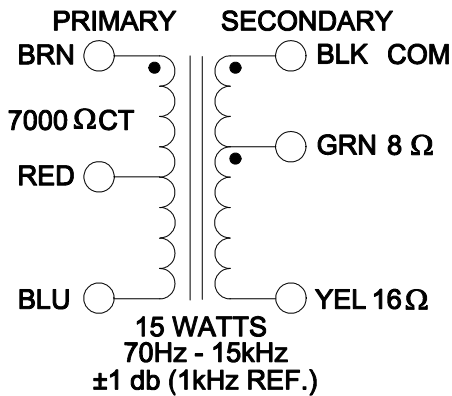
1750FA



NOTE: ALL LEADS 9" LONG MIN.

DIMENSIONS:

A	3.687" ±0.063
B	2.38" Max
C	2.500" ±0.063
D	3.125" ±0.063
G	0.187" ±0.015



ELECTRICAL DATA:

Turns ratio:	20.90 : 1
Inductance	@240V,60Hz =>40 H (Open circuit) Minimum
DCR	@ 20C, BLU - RED =150.0 Ω ±20%
	@ 20C, RED - BRN =170.0 Ω ±20%
	@ 20C, BLU - BRN =320.0 Ω ±20%
	@ 20C, BLK - YEL =1.000 Ω ±20%
FREQ. RESP	@ 15W, 70Hz-15kHz, BLU-BRN ±1db (Ref.1kHz)
Pri. Impedance	7000 Ω CT(324.00V)
Sec. Impedance	8 Ω (10.95V @ 1.370A) 16 Ω (15.49V @ 1.100A)
Power	15 WATTS

**HAMMOND
ELECTRONICS**

52 RANKIN PLACE,
WATERLOO, ONTARIO, N2L 3Z5.
PHONE (519) 886-6181
FAX # (519) 886-9540

TITLE				1750FA
OUTPUT TRANSFORMER				
			DR BY D.Hutt	
0	04/04/16	Released	DATE 04/04/16	
NO	DATE	REVISION	DIM IN(X)MM()	