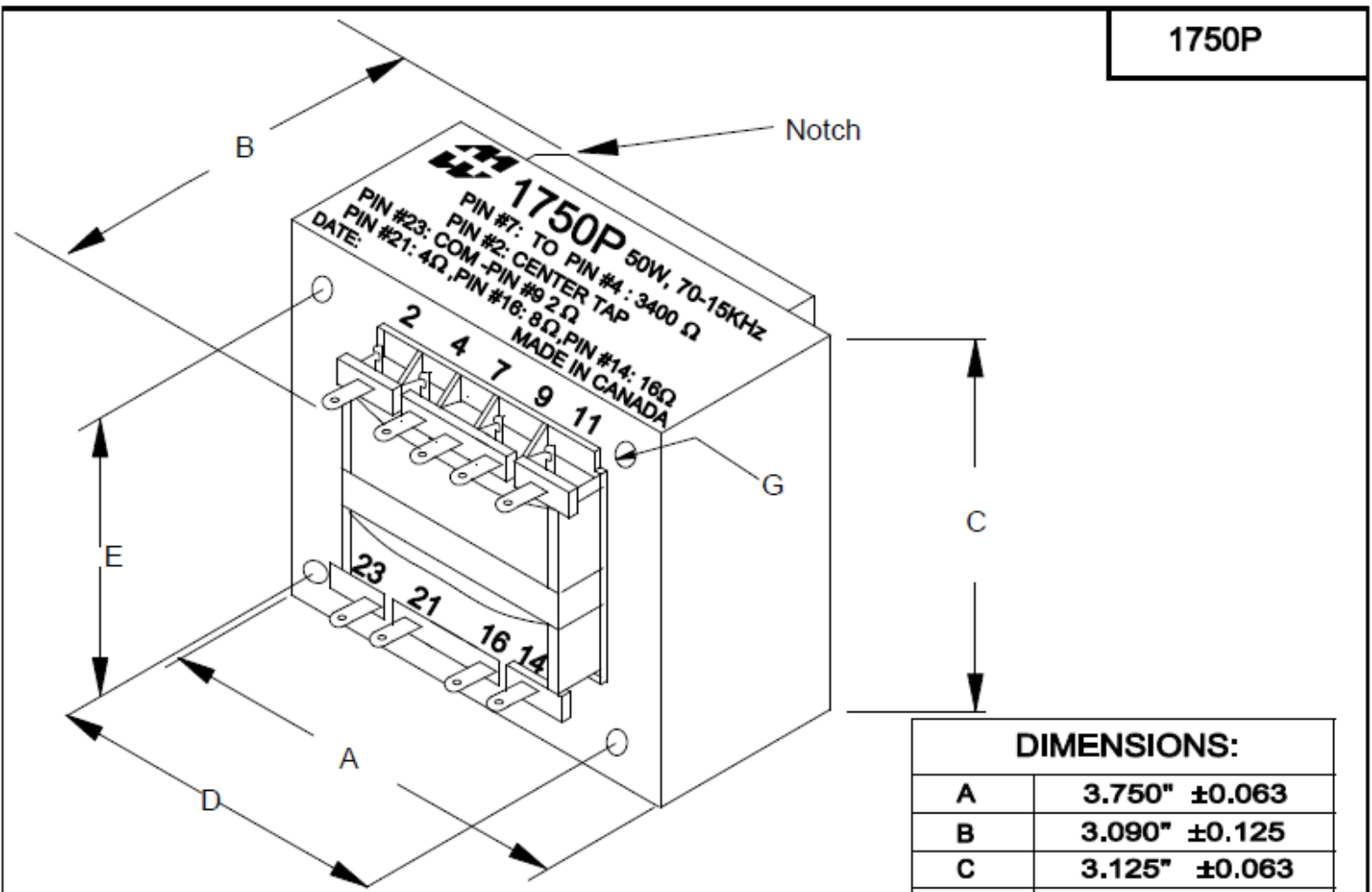
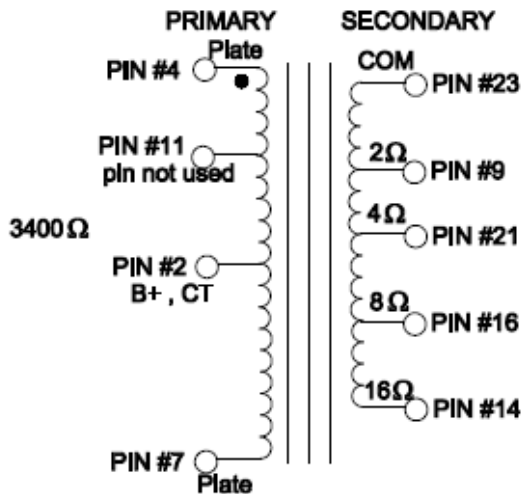


1750P



| DIMENSIONS: |               |
|-------------|---------------|
| A           | 3.750" ±0.063 |
| B           | 3.090" ±0.125 |
| C           | 3.125" ±0.063 |
| D           | 3.125" ±0.063 |
| E           | 2.50" ±0.063  |
| G           | .2175" ±0.010 |



| ELECTRICAL DATA: |  |
|------------------|--|
| Turns ratio:     | 14.24 : 1 ( 16 ohm tap )                                 |
| Inductance       | @240V,50Hz =>79.58H (Open circuit)                       |
| DCR              | @ 20C, PIN #7 - PIN # 2 = 41.3 Ω ±20%                    |
|                  | @ 20C, PIN #2 - PIN #4 = 40.5 Ω ±20%                     |
|                  | @ 20C, PIN #7 - PIN #4 = 81.80 Ω ±20%                    |
|                  | @ 20C, PIN #23 - PIN #9 =0.21 Ω ±20%                     |
|                  | @ 20C, PIN #9 - PIN #21 =0.12 Ω ±20%                     |
|                  | @ 20C, PIN #21 - PIN #16 =0.15Ω ±20%                     |
|                  | @ 20C, PIN #16 - PIN #14 =0.21 Ω ±20%                    |
| FREQ. RESP       | @ 50W (316.2V), 50Hz-12kHz, pin7 - Pin4 ±1db (1kHz Ref.) |
| Pri. Impedance   | 3400 Ω CT (412.3V)                                       |
| Sec. Impedance   | 2 Ω (10V 5.0A) 4 Ω (14.1V 3.5A) 8 Ω (20.0V 2.5A)         |
| Power            | 50 WATTS   |